



# Technical Specifications



## MOBOTIX i26B Indoor 180°

**Perfect Wall Installation. Compact, Discreet And Inexpensive.**

The MOBOTIX i26B Indoor 180° was specially developed for wall installation. Thanks to its tilt angle of 15°, it provides a perfect overview. A single i26B with a 180° lens monitors an entire room. The camera's compact design ensures an inconspicuous appearance in all environments. With the MxIOBoard-IC available as an accessory, the camera receives an additional MxBus connection, two inputs and two 12V outputs.

- Mx6 system platform 2nd generation, with MxBus, H.264 and ONVIF compatibility
- Recording on an internal MicroSD card (4 GB as standard)
- Optimized for wall installation as an in-wall or on-wall solution
- MxAnalytics Video Analysis tools as standard
- Variants with audio package (microphone and speaker)
- Integrated vibration and temperature sensor

## Technical Specifications

### MOBOTIX i26B Indoor 180°

| Camera Variants                              | i26B Body Day Or Night Lens For Self-Assembly  | i26B Day Complete Camera   | i26B Night Complete Camera         |
|--|--|--|------------------------------------|
| Specialties                                  | i26B Body with 6MP T Day or Night sensor, additional variants with audio package; all lenses (except MX-B016) available separately for self-assembly | Factory-assembled i26B Day or Night cameras with sharply focused lens; additional variants with audio package (microphone and speaker inside the camera housing) |                                    |
| Lenses                                       | i26B Body Day Or Night Lens For Self-Assembly  | i26B Day Complete Camera   | i26B Night Complete Camera         |
| Fisheye Lens MX-B016 (f/2.0, 180° x 180°)    | Not for i26B Body  | Mx-i26B-6D016 Mx-i26B-AU-6D016   | Mx-i26B-6N016 Mx-i26B-AU-6N016     |
| Ultra Wide Lens MX-B036 (f/1.8, 103° x 77°)  | Lens selection for i26B Body Day/Night   | Mx-i26B-6D036 Mx-i26B-AU-6D036   | Mx-i26B-6N036 Mx-i26B-AU-6N036     |
| Super Wide Lens MX-B041 (f/1.8, 90° x 67°)   | Body Day: Mx-i26B-6D (Body not available with audio)   | Self-assembly only (without Audio)   | Self-assembly only (without Audio) |
| Wide Lens MX-B061 (f/1.8, 60° x 45°)         |  | Self-assembly only (without Audio)   | Self-assembly only (without Audio) |
| Standard Lens MX-B079 (f/1.8, 45° x 34°)     |  | Self-assembly only (without Audio)   | Self-assembly only (without Audio) |
| Tele Lens MX-B119 (f/1.8, 31° x 23°)         | Body Night: Mx-i26B-6N (Body not available with audio)   | Self-assembly only (without Audio)   | Self-assembly only (without Audio) |
| Distant Tele Lens MX-B237 (f/1.8, 15° x 11°) |  | Self-assembly only (without Audio)   | Self-assembly only (without Audio) |
| Hardware                                     | i26B Body Day Or Night Lens For Self-Assembly  | i26B Day Complete Camera   | i26B Night Complete Camera         |
| Image sensor with individual exposure zones  | Color or Black & White (B/W)   | Color  | B/W                                |
| Light sensitivity in lux at 1/60 s and 1/1 s | 0.1/0.005 (Color)<br>0.02/0.001 (B/W)  | 0.1/0.005 (Color)  | 0.02/0.001 (B/W)                   |
| Image sensor (color or B/W sensor)           | 1/1.8" CMOS, 6MP (3072 x 2048), Progressive Scan   |  |                                    |

| <b>Hardware</b>                                | <b>i26B Body Day Or Night Lens For Self-Assembly</b>                | <b>i26B Day Complete Camera</b> | <b>i26B Night Complete Camera</b> |
|--|---|---------------------------------|-----------------------------------|
| Tilt angle of lens                             | -15° (fixed)  |                                 |                                   |
| Microprocessor                                 | i.MX 6 Dual Core inkl. GPU (1 GB RAM, 512 MB Flash)                 |                                 |                                   |
| H.264 Hardware Codec                           | Yes, bandwidth limitation available; output image format up to QXGA |                                 |                                   |
| Protection classes                             | IP30 and IK06   |                                 |                                   |
| Intended use                                   | Wall mounting, indoor use only, no EX area                          |                                 |                                   |
| Ambient temperature (range, incl. storage)     | 0 to 40°C (32 to 104 °F)  |                                 |                                   |
| Internal DVR, ex works                         | 4 GB (microSD)  |                                 |                                   |
| Microphone/speaker                             | Yes/Yes (variants with audio package only)                          |                                 |                                   |
| 16bit/16kHz HD wideband audio (Opus codec)     | Yes (live and audio messages)                                       |                                 |                                   |
| Passive infrared sensor (PIR)                  | No  |                                 |                                   |
| Temperature sensor                             | Yes   |                                 |                                   |
| Shock detector (tamper detection)              | Yes   |                                 |                                   |
| Power consumption (typically at 20°C/68°F)     | 5 watts   |                                 |                                   |
| PoE Class (IEEE 802.3af)                       | Class 2 or 3 (variable), factory setting: class 3                   |                                 |                                   |
| Interfaces Ethernet 100BaseT/MxBus/USB         | Yes (MxRJ45)/No/Yes   |                                 |                                   |
| Interface RS232                                | With MX-232-IO-Box (Order Nr: MX-OPT-RS1-EXT)                       |                                 |                                   |
| Interfaces MxBus and I/O (2 outputs, 2 inputs) | With MxIOBoard-IC (Order Nr. Mx-A-IO-IC)                            |                                 |                                   |
| Mounting options                               | Wall  |                                 |                                   |
| Dimensions (Height x Diameter)                 | 96 x 138 x 50 mm  |                                 |                                   |
| Weight   | 201 g   |                                 |                                   |
| Housing  | PBT-30GF, color: white  |                                 |                                   |

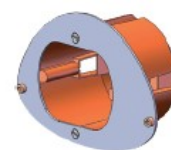
## Technical Specifications

### MOBOTIX i26B Indoor 180°

| Hardware  | i26B Body Day Or Night Lens For Self-Assembly  | i26B Day Complete Camera | i26B Night Complete Camera |
|---|--|--------------------------|----------------------------|
| Standard accessory                                | Screws with cover, sealing, Allen wrench, 0.5 m Ethernet patch cable, Quick Install  |                          |                            |
| Detailed technical documentation                  | <a href="http://www.mobotix.com">www.mobotix.com</a> > Support > Download Center   |                          |                            |
| Online version of this document                   | <a href="http://www.mobotix.com">www.mobotix.com</a> > Support > Download Center   |                          |                            |
| MTBF  | > 80,000 hours   |                          |                            |
| Certifications                                    | EN55022:2010; EN55024:2010; EN50121-4:2006; EN61000-6-1:2007; EN 61000-6-2:2005; EN61000-6-3:2007+A1:2011; EN61000-6-4:2007+A1:2011; AS/ NZS CISPR22:2009+A1:2010; CFR47 FCC part15B |                          |                            |
| Protocols   | IPv4, IPv6, HTTP, HTTPS, FTP, FTPS, SFTP, RTP, RTSP, UDP, SNMP, SMTP, DHCP (client and server), NTP (client and server), SIP (client and server) G.711 (PCMA and PCMU) and G.722     |                          |                            |
| Manufacturer's warranty (since May 2018)          | 5 years  |                          |                            |
| Image Formats, Frame Rates, Image Storage         | i26B Body Day Or Night Lens For Self-Assembly  | i26B Day Complete Camera | i26B Night Complete Camera |
| Available video codecs                            | MxPEG/MJPEG/H.264  |                          |                            |
| Image formats                                     | Freely configurable format 4:3, 8:3, 16:9 or customized format (Image Cropping), such as 2592x1944 (5MP), 2048x1536 (QXGA), 1920x1080 (Full-HD), 1280x960 (MEGA)                     |                          |                            |
| Multistreaming                                    | Yes  |                          |                            |
| Multicast stream via RTSP                         | Yes  |                          |                            |
| Max. image format                                 | 6MP (3072 x 2048)  |                          |                            |
| Max. frame rate (fps, only single core used)      | MxPEG: 42@HD(1280x720), 34@Full-HD, 24@QXGA, 15@5MP, 12@6MP MJPEG: 26@HD(1280x720), 13@Full-HD, 9@QXGA, 5@5MP, 4@6MP H.264: 25@Full-HD, 20@QXGA                                      |                          |                            |
| Number of images with 4 GB microSD (internal DVR) | CIF: 250,000, VGA: 125,000, HD: 40,000, QXGA: 20,000, 6MP: 10,000  |                          |                            |



MX-OPT-AP2  
On-Wall Installation Set



MX-OPT-UP1  
In-Wall Installation Set



MxIOBoard-IC  
for signal inputs/outputs

| <b>General Functions</b>                         | <b>i26B Body Day Or Night Lens For Self-Assembly</b> | <b>i26B Day Complete Camera</b> | <b>i26B Night Complete Camera</b> |
|--|--|---------------------------------|-----------------------------------|
| Digital zoom and pan                             | Yes  |                                 |                                   |
| ONVIF compatibility                              | Yes (Profile S)                                      |                                 |                                   |
| Genetec protocol integration                     | Yes  |                                 |                                   |
| Programmable exposure zones                      | Yes  |                                 |                                   |
| Snapshot recording (pre/post-alarm images)       | Yes  |                                 |                                   |
| Continuous recording with audio                  | Yes (variants with audio package only)               |                                 |                                   |
| Event recording with audio                       | Yes (variants with audio package only)               |                                 |                                   |
| Time controlled flexible event logic             | Yes  |                                 |                                   |
| Weekly schedules for recordings and actions      | Yes  |                                 |                                   |
| Event video and image transfer via FTP and email | Yes  |                                 |                                   |
| Playback and QuadView via web browser            | Yes  |                                 |                                   |
| Bidirectional audio in browser                   | Yes (variants with audio package only)               |                                 |                                   |
| Animated logos on the image                      | Yes  |                                 |                                   |
| Master/Slave functionality                       | Yes  |                                 |                                   |
| Privacy zone scheduling                          | Yes  |                                 |                                   |

## Technical Specifications

### MOBOTIX i26B Indoor 180°

---

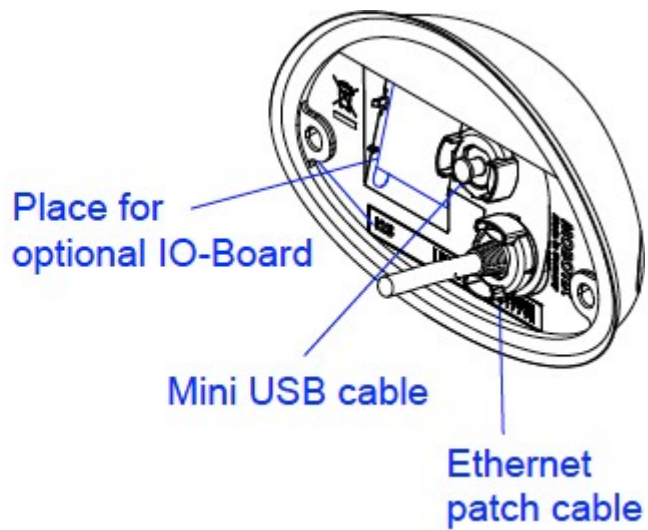
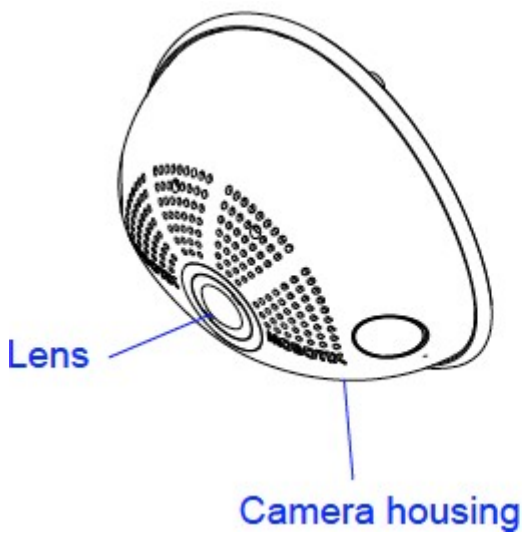
| <b>General Functions</b>                                | <b>i26B Body Day Or Night Lens For Self-Assembly</b>  | <b>i26B Day Complete Camera</b> | <b>i26B Night Complete Camera</b> |
|---|---|---------------------------------|-----------------------------------|
| Customized voice messages                               | Yes (variants with audio package only)  |                                 |                                   |
| VoIP telephony (audio, alert)                           | Yes (variants with audio package only)  |                                 |                                   |
| Remote alarm notification (network message)             | Yes   |                                 |                                   |
| Programming interface (HTTP-API)                        | Yes   |                                 |                                   |
| DVR   | Inside camera via microSD card, externally via USB device and NAS, different streams for live image and recording, MxFFS with archive function, pre-alarm an post-alarm images, monitoring recording with failure reporting |                                 |                                   |
| Camera and data security                                | User and group management, SSL connections, IP-based access control, IEEE802.1x, intrusion detection, digital image signature   |                                 |                                   |
| MxMessageSystem:<br>Sending and receiving of MxMessages | Yes   |                                 |                                   |
| <b>Video Analysis</b>                                   | <b>i26B Body Day Or Night Lens For Self-Assembly</b>  | <b>i26B Day Complete Camera</b> | <b>i26B Night Complete Camera</b> |
| Video Motion Sensor                                     | Yes   |                                 |                                   |
| MxActivitySensor  | Yes   |                                 |                                   |
| MxAnalytics   | Yes (Heatmaps, counting corridors)  |                                 |                                   |
| <b>Video Analysis</b>                                   | <b>i26B Body Day Or Night Lens For Self-Assembly</b>  | <b>i26B Day Complete Camera</b> | <b>i26B Night Complete Camera</b> |
| MxManagementCenter                                      | Yes   |                                 |                                   |
| Mobile MOBOTIX App                                      | Yes   |                                 |                                   |

---

i26 Standard Delivery



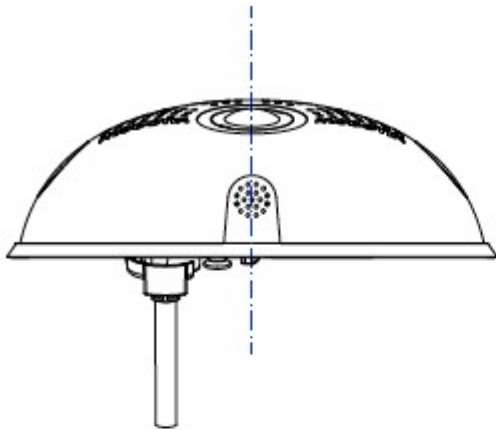
| Item | Count | Part Name   |
|------|-------|---|
| 1.1  | 1     | Housing (installed)   |
| 1.2  | 1     | Back cover (installed)                                      |
| 1.3  | 1     | Main board with lens MX-B016 or MX-B036 (installed)         |
| 1.4  | 2     | Bayonet catch, blue (installed)                             |
| 1.5  | 1     | USB plug, blue (installed)                                  |
| 1.6  | 1     | Ethernet plug, blue (installed)                             |
| 1.7  | 1     | Ethernet patch cable, 50 cm/19.7 in, black                  |
| 1.8  | 1     | Wall sealing  |
| 1.9  | 2     | Screw plug, white   |
| 1.10 | 2     | Washer Ø 4.3 mm, stainless steel                            |
| 1.11 | 2     | Wood screw 4x40 mm, stainless steel                         |
| 1.12 | 2     | Screw anchor S6   |
| 1.13 | 1     | MicroSD card pre-installed (SDHC installed, SDXC supported) |
| 1.14 | 1     | Allen wrench 2.5 mm   |



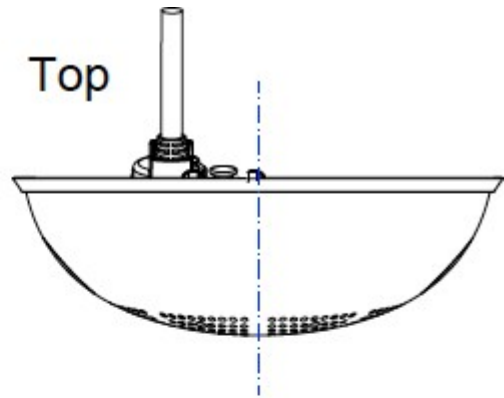
**Technical Specifications**  
**MOBOTIX i26B Indoor 180°**

---

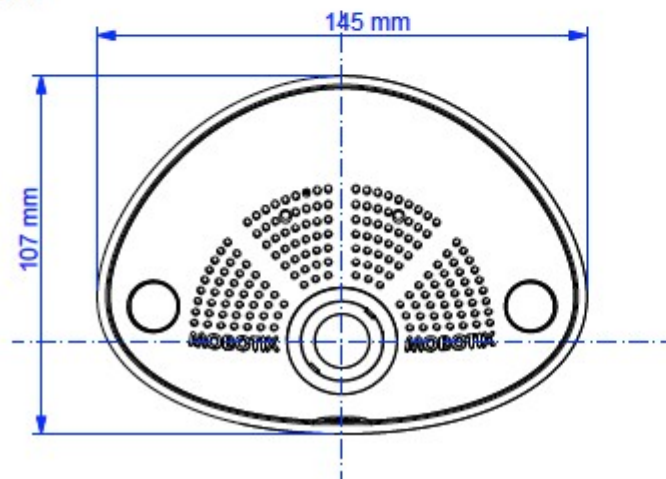
Down



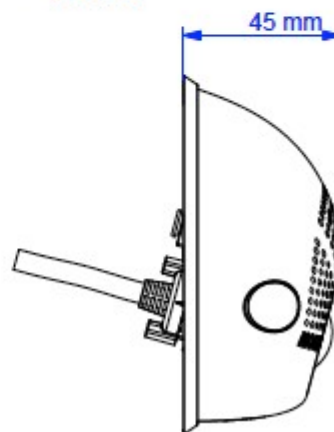
Top



Front



Side







# MOBOTIX

BeyondHumanVision

[EN\\_08/23](#)

MOBOTIX AG • Kaiserstrasse • D-67722 Langmeil • Tel.: +49 6302 9816-103 • [sales@mobotix.com](mailto:sales@mobotix.com) • [www.mobotix.com](http://www.mobotix.com)

MOBOTIX is a trademark of MOBOTIX AG registered in the European Union, the U.S.A., and in other countries. Subject to change without notice. MOBOTIX do not assume any liability for technical or editorial errors or omissions contained herein. All rights reserved. © MOBOTIX AG 2019