

Overview of metal clamps

[Heavy duty-] Metal clamps



| | | RIF | RI | RID | LI | L | D | SIN-FIN |
|----------|---------------------------------------|----------------------------|----------------------------|---|---|-------------------------|---|------------------|
| Ø | Diameter Ø (mm) | 15-60 | 18-355 | 18-160 | 12-42 | 6-63 | 50-200 | 10-130 |
| | Coating | blue zinc plated | blue zinc plated | blue zinc plated | yellow zinc plated | blue zinc plated | sendzimir zinc plated | blue zinc plated |
| | Inlay | EPDM | EPDM | EPDM+TPE | EPDM | × | × | × |
| | Halogen free | - | ✓ | ✓ | - | - | - | - |
| | RoHS compliant | × | ✓ | ✓ | × | × | × | × |
| | Fire resistance | DIN 4102 class B2 | DIN 4102 class B2 | DIN 4102 class B2 | DIN 4102 class B2 | - | - | - |
| | Temperature range | -50°C to +110°C | -50°C to +110°C | -50°C to +110°C | -50°C to +110°C | - | - | - |
| | Recommended maximum tension load (kg) | 80 | 80 - 200 | 100-150 | 55 | 50 | 110 | - |
| | Sheet thickness (mm) | 1,25 | 1,5-2,0 | 1,2-2,0 to +2,5 | 1,2 | 1,2 | 1,25 | 0,8 |
| | Clamp width (mm) | 20 | 20/25 | 20/25 | 11/12 | 11/12 | 20 | 9 |
| | Connecting thread | M8 + M10 | M8 + M10 | M8 + M10 | M6 | M6 | M8 | × |
| | Applications | Heating pipes, Water pipes | Heating pipes, Water pipes | Sliding EPDM rubber lined pipe clamp for heating pipes or water pipes | Air conditioning, gas or compressed air pipes | Electrical and sanitary | Drainage pipes, PVC pipes, light steel pipes, ventilation pipes | Hose connections |
| | Page | 274 | 275 | 277 | 278 | 279 | 280 | 281 |

Clamp RI



Advantages

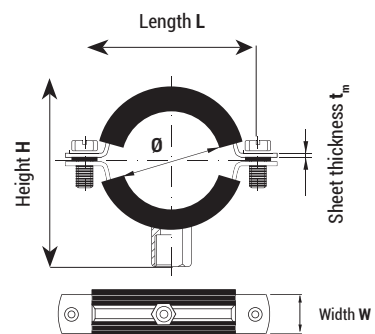


- High strength due to double reinforcing ribs
- Thick EPDM inlay: (sound-) insulated
- Screws are impossible to lose
- Solid welding of the nut
- Nut with M8 and M10 thread for higher flexibility
- Temperature resistance: -50°C to $+110^{\circ}\text{C}$, suitable for hot water and heating pipes

Approvals and certificates



Mounting



Clamp RI



RI M8 + M10 connecting thread

| Type | Art-No | Pipe-Ø | | | Inner Ø [mm] | Load* ≤ [kg] | Sheet thickness t _m [mm] | Length L [mm] | Height H [mm] | Clamp width W [mm] | € / 100 pcs | [pcs] |
|----------------------|--------|----------------|-----------------|-----------------|-----------------|-----------------|---|------------------|------------------|--------------------------|----------------|-------|
| | | Copper [mm] | Steel [inch] | Plastic [mm] | | | | | | | | |
| RI 18 | 918RI | 18 | 3/8" | – | 15 - 19 | 80 | 1,5 | 60,0 | 40,5 | 20 | | 100 |
| RI 22 | 922RI | 22 | 1/2" | – | 20 - 24 | 80 | 1,5 | 62,0 | 45,0 | 20 | | 100 |
| RI 28 | 928RI | 28 | 3/4" | 25 | 23 - 28 | 80 | 1,5 | 70,5 | 49,5 | 20 | | 100 |
| RI 35 | 935RI | 35 | 1" | 32 | 31 - 36 | 80 | 1,5 | 79,0 | 60,0 | 20 | | 100 |
| RI 40 | 940RI | 42 | 1 - 1/4" | 40 | 38 - 44 | 100 | 1,5 | 88,0 | 64,0 | 20 | | 100 |
| RI 48 | 948RI | – | 1 - 1/2" | 50 | 44 - 50 | 100 | 1,5 | 94,0 | 70,5 | 20 | | 100 |
| RI 54 | 954RI | 54 | – | – | 54 - 58 | 100 | 1,5 | 102,0 | 81,5 | 20 | | 50 |
| RI 60 | 960RI | – | 2" | – | 59 - 65 | 100 | 1,5 | 109,0 | 86,5 | 20 | | 50 |
| RI 75 | 975RI | 76 | 2 - 1/2" | 75 | 74 - 80 | 150 | 2,0 | 133,0 | 102,5 | 25 | | 50 |
| RI 90 | 990RI | 89 | 3" | 90 | 83 - 93 | 150 | 2,0 | 145,0 | 111,5 | 25 | | 50 |
| RI 100 | 9100RI | – | 3 - 1/2" | 100 | 95 - 103 | 150 | 2,0 | 155,0 | 116,0 | 25 | | 50 |
| RI 110 | 9110RI | 108 | 4" | 110 | 108 - 118 | 150 | 2,0 | 169,0 | 122,0 | 25 | | 50 |
| RI 125 | 9125RI | – | 4 - 1/2" | 125 | 121 - 127 | 150 | 2,0 | 128,8 | 135,5 | 25 | | 50 |
| RI 140 | 9140RI | – | 5" | 140 | 133 - 143 | 150 | 2,0 | 198,5 | 145,5 | 25 | | 50 |
| RI 160 | 9160RI | – | 6" | 160 | 159 - 169 | 150 | 2,0 | 229,0 | 161,5 | 25 | | 40 |
| RI 200 | 9200RI | – | – | 200 | 198 - 202 | 150 | 2,0 | 262,0 | 184,5 | 25 | | 40 |
| RI 250 | 9250RI | – | – | 250 | 249 - 254 | 200 | 2,0 | 290,0 | 275,0 | 25 | | 30 |
| RI 355 ¹⁾ | 9355RI | – | – | 355 | 354 - 359 | 200 | 2,3 | 396,0 | 381,0 | 20 | | 20 |

* Load incl. safety factor

¹⁾ discontinued article; delivery while stocks last



RI clamp set

| Type | Art-No | Plug-Ø [mm] | Plug length [mm] | Load* ≤ [kg] | Set contains | € / Blister | [pcs] | [Blister] |
|--------------|-----------|----------------|---------------------|-----------------|----------------------------|----------------|-------|-----------|
| FX 10 RI 22 | 22RIEDRN | 10 | 50 | 80 | FX 10 + M8 x 80 + RI 22 | | 2 | 15 |
| FX 10 RI 28 | 28RIEDRN | 10 | 50 | 80 | FX 10 + M8 x 80 + RI 28 | | 2 | 15 |
| FX 10 RI 35 | 35RIEDRN | 10 | 50 | 80 | FX 10 + M8 x 80 + RI 35 | | 2 | 15 |
| FX 10 RI 40 | 40RIEDRN | 10 | 50 | 100 | FX 10 + M8 x 80 + RI 40 | | 2 | 15 |
| FX 10 RI 50 | 50RIEDRN | 10 | 50 | 100 | FX 10 + M8 x 80 + RI 50 | | 2 | 15 |
| FX 10 RI 60 | 60RIEDRN | 10 | 50 | 100 | FX 10 + M8 x 80 + RI 60 | | 2 | 15 |
| FX 10 RI 75 | 75RIEDRN | 10 | 50 | 150 | FX 10 + M8 x 80 + RI 75 | | 2 | 15 |
| FX 12 RI 90 | 90RIEDRN | 12 | 60 | 150 | FX 12 + M10 x 100 + RI 90 | | 2 | 15 |
| FX 12 RI 110 | 110RIEDRN | 12 | 60 | 150 | FX 12 + M10 x 100 + RI 110 | | 2 | 15 |

* Load incl. safety factor