

Overview of metal clamps

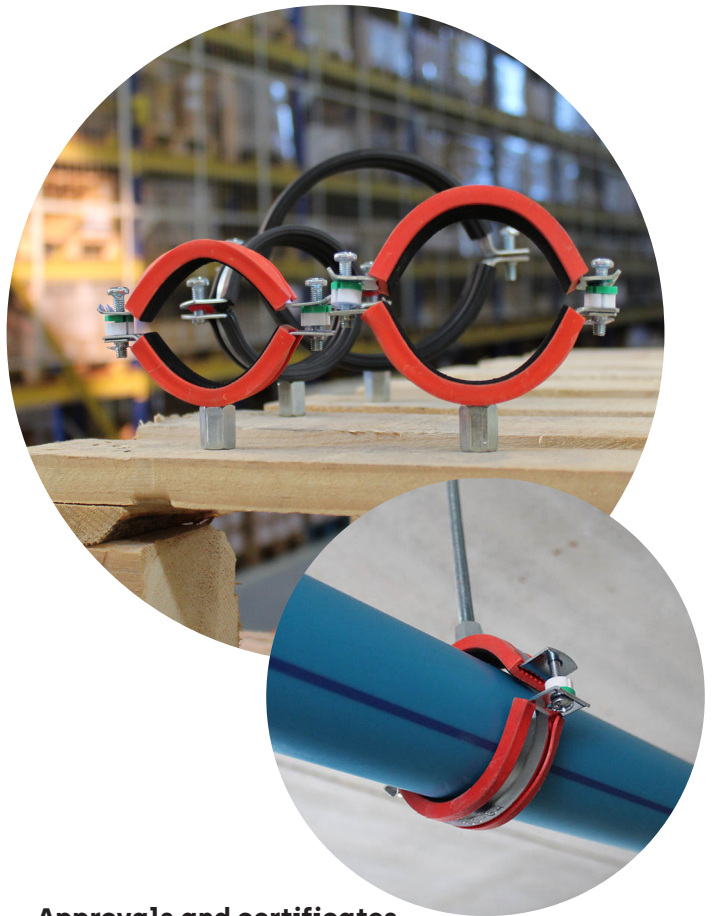
[Heavy duty-] Metal clamps



		RIF	RI	RID	LI	L	D	SIN-FIN
Diameter Ø (mm)		15-60	18-355	18-160	12-42	6-63	50-200	10-130
Coating		blue zinc plated	blue zinc plated	blue zinc plated	yellow zinc plated	blue zinc plated	sendzimir zinc plated	blue zinc plated
Inlay		EPDM	EPDM	EPDM+TPE	EPDM	×	×	×
Halogen free		-	✓	✓	-	-	-	-
RoHS compliant		×	✓	✓	×	×	×	×
Fire resistance		DIN 4102 class B2	DIN 4102 class B2	DIN 4102 class B2	DIN 4102 class B2	-	-	-
Temperature range		-50°C to +110°C	-50°C to +110°C	-50°C to +110°C	-50°C to +110°C	-	-	-
Recommended maximum tension load (kg)		80	80 - 200	100-150	55	50	110	-
Sheet thickness (mm)		1,25	1,5-2,0	1,2-2,0 to +2,5	1,2	1,2	1,25	0,8
Clamp width (mm)		20	20/25	20/25	11/12	11/12	20	9
Connecting thread		M8 + M10	M8 + M10	M8 + M10	M6	M6	M8	×
Applications		Heating pipes, Water pipes	Heating pipes, Water pipes	Sliding EPDM rubber lined pipe clamp for heating pipes or water pipes	Air conditioning, gas or compressed air pipes	Electrical and sanitary	Drainage pipes, PVC pipes, light steel pipes, ventilation pipes	Hose connections
Page		274	275	277	278	279	280	281

Sliding pipe clamp

RID



Advantages

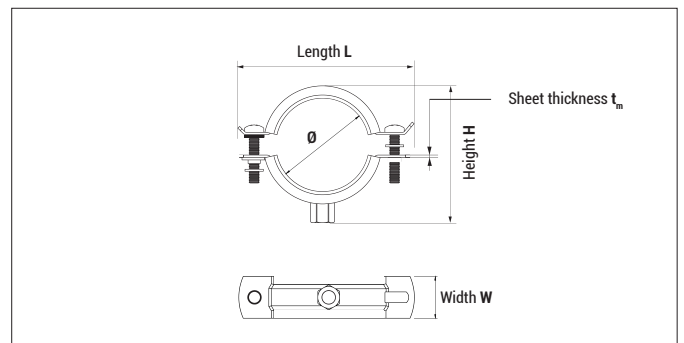


- TPE rubber inlay with soft inner side allows the pipe to slide
- Easy and fast mounting thanks to the side opening
- Plastic washers, which allow installation as fixed or sliding points
- Suitable for plastic pipes
- Clamp with double reinforcing ribs for greater stability
- Soundproof according to DIN 4109
- Connecting thread M8 + M10
- Temperature resistant EPDM rubber from -50°C to +110°C
- UV- and seawater resistant

Approvals and certificates



Mounting



RID M8 + M10 connecting thread

Type	Art-No	Pipe-Ø			Inner Ø [mm]	Load* ≤ [kg]	Sheet thickness t_m [mm]	Length L [mm]	Height H [mm]	Clamp width W [mm]	€ / 100 pcs	[pcs]
		PPP [mm]	CPVC [mm]	CPVC [inch]								
RID 18	918RID	16	15,9	1/2"	15-19	100	1,2	58	42	20		100
RID 22	922RID	20	22,2	3/4"	20-23	100	1,2	62	44	20		100
RID 28	928RID	25	28,6	1	26-30	100	1,2	69	51	20		100
RID 35	935RID	32	34,9	1 1/4"	31-36	100	1,2	74	56	20		100
RID 42	942RID	40	41,3	1 1/2"	40-46	100	1,2	84	65	20		100
RID 48	948RID	50	54,0	2"	48-53	100	1,2	94	72	20		50
RID 54	954RID	54	-	-	54-59	100	1,2	105	80	20		50
RID 60	960RID	60	60,3	2"	60-64	150	1,2	110	88	20		50
RID 75	975RID	75	73,0	2 1/2"	72-83	150	2	135	104	25		50
RID 90	990RID	90	88,9	3	87-92	150	2	145	120	25		50
RID 110	9110RID	110	114,0	4	102-116	150	2	157	126	25		50
RID 125	9125RID	125	-	-	124-130	150	2	157	132	25		50
RID 160	9160RID	160	168	6	159-168	150	2	195	162	25		25

* Load incl. safety factor