

Overview of metal clamps

[Heavy duty-] Metal clamps



		RIF	RI	RID	LI	L	D	SIN-FIN
Diameter Ø (mm)		15-60	18-355	18-160	12-42	6-63	50-200	10-130
Coating		blue zinc plated	blue zinc plated	blue zinc plated	yellow zinc plated	blue zinc plated	sendzimir zinc plated	blue zinc plated
Inlay		EPDM	EPDM	EPDM+TPE	EPDM	×	×	×
Halogen free		-	✓	✓	-	-	-	-
RoHS compliant		×	✓	✓	×	×	×	×
Fire resistance		DIN 4102 class B2	DIN 4102 class B2	DIN 4102 class B2	DIN 4102 class B2	-	-	-
Temperature range		-50°C to +110°C	-50°C to +110°C	-50°C to +110°C	-50°C to +110°C	-	-	-
Recommended maximum tension load (kg)		80	80 - 200	100-150	55	50	110	-
Sheet thickness (mm)		1,25	1,5-2,0	1,2-2,0 to +2,5	1,2	1,2	1,25	0,8
Clamp width (mm)		20	20/25	20/25	11/12	11/12	20	9
Connecting thread		M8 + M10	M8 + M10	M8 + M10	M6	M6	M8	×
Applications		Heating pipes, Water pipes	Heating pipes, Water pipes	Sliding EPDM rubber lined pipe clamp for heating pipes or water pipes	Air conditioning, gas or compressed air pipes	Electrical and sanitary	Drainage pipes, PVC pipes, light steel pipes, ventilation pipes	Hose connections
Page		274	275	277	278	279	280	281

Metal clamp

LI

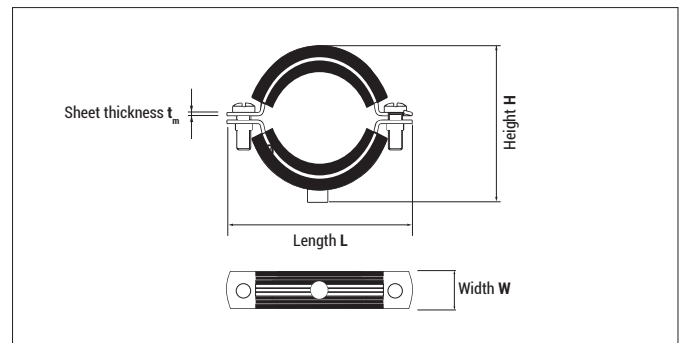


Advantages



- EPDM inlay: (sound-) insulated
- Easy to use
- Quick installation
- Connection thread: M6
- Strong design
- Temperature resistance: -30°C to +100 °C, suitable for hot water and heating pipes

Mounting



LI, yellow galvanized M6 connecting thread

Type	Art-No	Pipe-Ø			Load* ≤ [kg]	Sheet thickness t _m [mm]	Length L [mm]	Height H [mm]	Clamp width W [mm]	€ / 100 pcs	[pcs]	[pcs]
		Metric [mm]	Copper [mm]	Steel [inch]								
LI 12	9B12LI	-	12	-	55	1,2	41	23,5	11/12		100	900
LI 15	9B15LI	-	15	1/4"	55	1,2	43	25,0	11/12		100	900
LI 18	9B18LI	-	18	3/8"	55	1,2	47	29,0	11/12		100	900
LI 22	9B22LI	-	22	1/2"	55	1,2	51	33,0	11/12		50	450
LI 28	9B28LI	-	28	-	55	1,2	57	39,0	11/12		50	450
LI 35	9B35LI	-	35	1	55	1,2	66	47,0	11/12		25	225
LI 42	9B42LI	-	42	1 1/4	55	1,2	70	51,5	11/12		25	225

* Load incl. safety factor