

Sinorix™

CAR12-360

IG-01, IG-55, IG-100, IG-541, CO2



Check valve

- Safety component to be mounted on discharge hose outlet
- Mounting at 15° or more sub-horizontal
- Compatible with all pressures and gases in Sinorix™ CDT gas, 200 bar and 300 bar, and CO2 extinguishing systems

Product code: S54476-B533-A1

Use

This product must only be used with Sinorix™ fixed automatic extinguishing systems.

Functions

The check valve can be used to ensure that gas only flows in one single direction: the gas moves in the direction of the extinguishing agent cylinder/discharge network, but is blocked in the opposite direction.

Operation of the installation is guaranteed even when cylinders are removed from the cylinder battery. During discharge, the gas released into the manifold cannot leave through the branch connections corresponding to the cylinders removed: escape is prevented by the check valve.

Type summary



Item	Description	Item	Description
1	G 3/4" thread for mounting on manifold side	3	M24x1.5 thread for mounting on the discharge hose side
2	Check valve body	4	O-ring for sealing on manifold side

Notes

Safety

This product may only be installed by Siemens-authorized specialized installers, with experience in the design, installation and maintenance of automatic extinguishing systems. During installation, it must be ensured that:

- this product is installed in compliance with the accident prevention regulations and national regulations in force,
- this product is used as intended,
- any danger is avoided,
- Siemens requirements are met (assembly instructions, technical instructions, commissioning, and operating instructions),
- the operators have received and understood the information related to this product.

At commissioning, ensure compliance with the legislation in force, technical regulations and safety instructions.

Failure to comply with Siemens' instructions may result in serious bodily injury or significant property damage, for which Siemens cannot be held liable.

Siemens reserves the right to make technical modifications and/or improvements at any time.

Mounting

WARNING



Pre-mounting check

The check valve consists of two components which were screwed and glued at the factory. Check that these components are secured together before mounting. Do not use the valve if they are loose.

WARNING



No changes permitted

No product modifications permitted.

WARNING



Pressure-related risk

Before mounting or removing a check valve, ensure that the manifold and discharge hose are not pressurized.

To mount the CAR12-360 check valve:

1. Check that the O-ring is present and in good condition.
2. Direct the CAR12-360 so that the arrow indicating the gas flow direction points towards the manifold.
3. Screw on the CAR12-360 using a 38 mm open-end wrench.
Torque: 55 Nm \pm 5 Nm
4. Screw the hose onto the CAR12-360.

Maintenance

Storage

- Store in its original packaging, protected from shocks.
- Store in a clean and dry location, protected from bad weather.

Inspection

- Check that the product is in good condition.
- Check that each fitting has been properly tightened using the appropriate wrench. Re-tighten if necessary.
- Check that the product is mounted in the correct direction: the arrow must point toward the manifold.



The product must be inspected as often as required by applicable local regulations. For more information, refer to the maintenance documentation.

After an actuation


- Check that the product is in good condition.
- Check that each fitting has been properly tightened using the appropriate wrench. Re-tighten if necessary.

Technical data

Technical data	
Nominal diameter	12 mm
Flow area	113.3 mm ²
Maximum operating pressure	360 bar
Mounting position	15° or more sub-horizontal Inlet (shaft) 16 mm under the outlet
Thread	Discharge hose side M24x1.5 Manifold side G 3/4", seal behind the thread
Gaseous agent	IG-01, IG-55, IG-100, IG-541, CO2
Materials	CAR12-360 body Stainless steel O-ring EPDM Seal PA
Operating temperature	-20 °C to +50 °C, non-condensing
Transport and storage temperature	-40 °C to +65 °C, non-condensing
Weight	0.36 kg

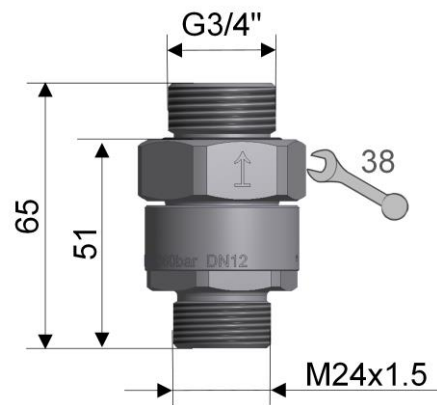
Marking	
	F0170001 PW max 360 bar DN12 YYYY-WW (year-week) VdS CE0786 LPCB C-UL-US Recognized Component Mark

OEM type	
	F0170001

Certifications and compliances	
UL/ULC	EX28218
VdS	G317008
LPCB	1239Fa/02
RoHS	Compliant
	
305/2011/EU (CPR) EN 12094-13	0786-CPR-30214
The declared performance and conformity can be seen in the Declaration of Performance (DoP) and/or the EU Declaration of Conformity (DoC), which are obtainable via the Customer Support Center: Tel. +49 89 9221-8000 or https://siemens.com/bt/download .	

Dimensions

Dimensions in mm



Issued by
Siemens Switzerland Ltd
Smart Infrastructure
Global Headquarters
Theilerstrasse 1a
CH-6300 Zug
+41 58 724 2424
www.siemens.com/buildingtechnologies

© Siemens Switzerland Ltd, 2022
Technical specifications and availability subject to change without notice.

Document ID A6V11218579_en--_d
Edition 2022-11-21