



TC-H356S Spec:30X/I/E++/A/V3.0

5MP 30X IR PTZ Camera

Pro Series



KEY FEATURES

- Up to 5MP,2880×1620@30fps
- Color:0.001lux@ (F1.6,AGC ON),B/W:0lux with IR
- S+265/H.265/H.264B/H.264M/H.264H/Motion JPEG
- Optical zoom 30X
- IR range up to 200m
- Support microSD/microSDHC/microSDXC card,up to 512GB
- Support smart surveillance, detect up to 32 faces at the same scene
- Support human/vehicle classification
- Operating conditions -40°C~70°C(-40°F~158°F), ≤95%RH
- AC24V±25%\DC24V±10%, PoE:IEEE 802.3bt
- IP66

SPECIFICATIONS

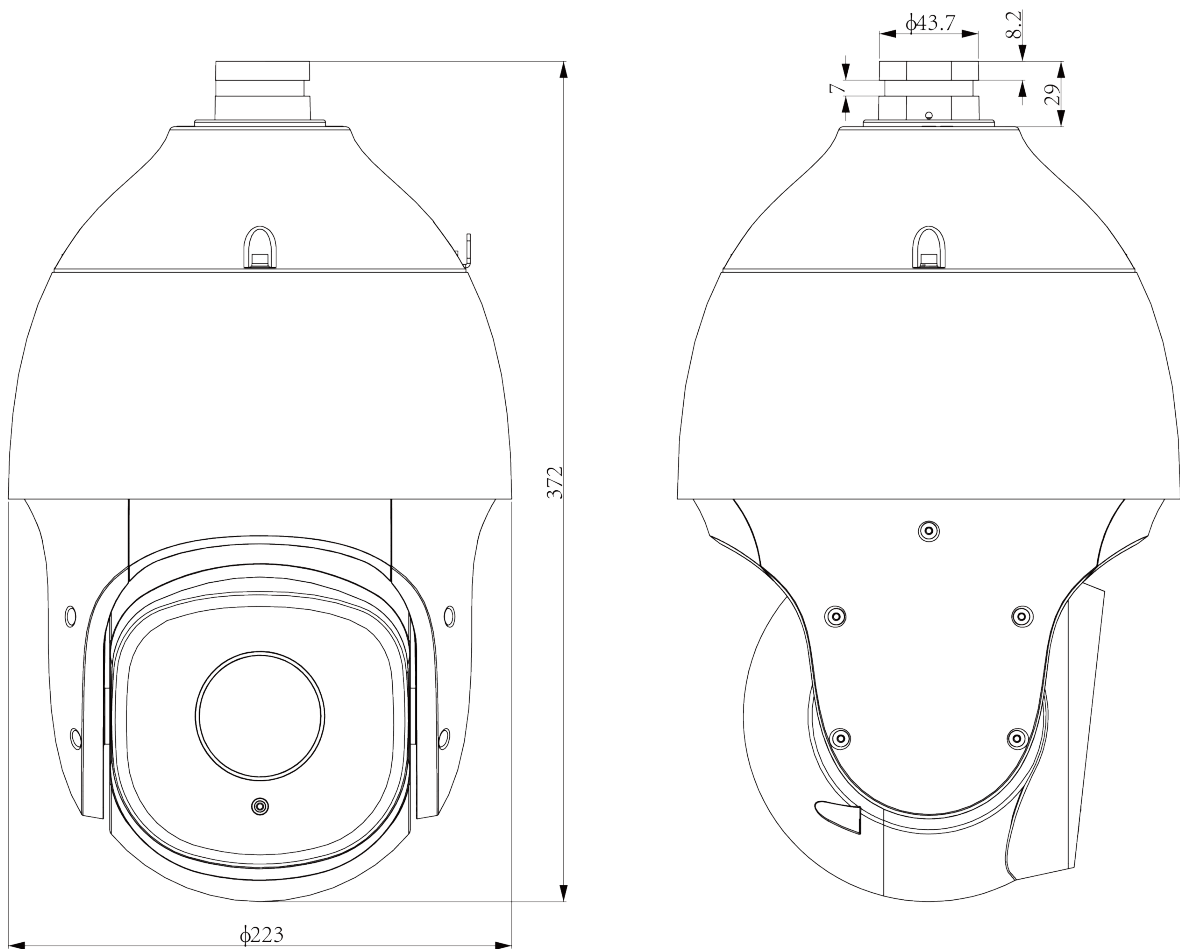
| Camera | |
|----------------------|--|
| Image Sensor | 1/2.7"CMOS |
| Min. Illumination | Color:0.001lux@ (F1.6,AGC ON),B/W:0lux with IR |
| Shutter Time | 1s~1/100000s |
| Day&Night | IR-cut filter with auto switch (ICR) |
| Smart IR | Yes |
| WDR | 120dB |
| S/N | 39dB |
| Lens | |
| Focal Length | 4.7mm~141mm |
| Optical Zoom | 30X |
| Digital Zoom | 16X |
| Zoom Speed | <5s |
| Aperture Range | F1.6~F4.3 |
| Aperture Type | Auto(P-Iris) |
| Field of View | 61.9°~2.5°(H); 35.5°~1.4°(V); 69.1°~2.9°(D) |
| Focus Control | Auto/Semi-auto/Manual |
| Close Focus Distance | 100mm~1500mm |
| DORI Distance | Detect:2600m Observe:1031m Recognize:520m Identify:260m |
| Pan&Tilt | |
| Pan Range | 0~360°(P) |
| Pan Speed | Manual Speed:0.1°~180°/s Preset Speed:240°/s |
| Tilt Range | -16°~90°(T) (Default -3°~90°(T)) |
| Tilt Speed | Manual Speed:0.1°~120°/s Preset:120°/s |
| 3D Position | Yes |
| Preset | 500 |
| Cruise | 16(up to 32 presets per cruise) |
| Scan | 8 |
| Pattern | 8,each with 600s memory or 1000 orders |
| Scheduled Task | Preset,Cruise,Scan,Pattern |
| North Point | Yes(Manual setting) |
| Power-off Memory | Yes |
| Illuminator | |

| | |
|-----------------------------|---|
| IR LEDs | 10 |
| IR Distance | Up to 200m |
| Wavelength | 850nm |
| IR Irradiation Angle | Yes |
| Compression Standard | |
| Video Compression | S+265/H.265/H.264B/H.264M/H.264H/Motion JPEG |
| Video Bit Rate | 32Kbps~16Mbps |
| Audio Compression | G.711A/G.711U/ADPCM_D/AAC_LC |
| Audio Sampling Rate | 8kHz/32kHz/48kHz |
| Image | |
| Max. Resolution | 5MP,2880×1620@30fps |
| Main Stream | PAL:25fps(2880×1620,2688×1520,2560×1440,2304×1296,1920×1080,1280×960,1280×720) NTSC:30fps(2880×1620,2688×1520,2560×1440,2304×1296,1920×1080,1280×960,1280×720) |
| Sub Stream | PAL:25fps(704×576,704×288,640×360,352×288) NTSC:30fps(704×480,704×240,640×360,352×240) |
| Third Stream | PAL:25fps(1920×1080,1280×960,1280×720,704×576,640×480,704×288,352×288) NTSC:30fps(1920×1080,1280×960,1280×720,704×480,640×480,704×240,352×240) |
| BLC | Yes |
| HLC | Yes |
| AGC | Yes |
| 3DNR | Yes |
| White Balance | Auto/Semi-Auto/Manual/Sunshine/Nature Light/Warmlight Lamp/Daylight Lamp/Filament Lamp/Lock White Balance |
| ROI | 7 rectangular 3D fixed focus areas,supporting 1 rectangular dynamic tracking ROI |
| OSD | 5 regions(Each region can have a maximum of 127 characters ,up to 5 lines); 16*16/24*24/32*32/48*48/64*64/96*96/adaptable size; Vector/Lattice |
| Defog | Yes |
| Flip | Normal/Horizontal Mirror/Vertical Mirror/Inverted Flip |
| Regional Exposure | Yes |
| Regional Focus | Yes |
| Demist | Yes |
| Privacy Mask | 24 regions(Up to 4 blocks in the same scene) |
| Feature | |
| General Alarm | Motion Detection; Mask Alarm; Alarm Input |
| Exceptions Alarm | Disk Full; Disk R/W Error; Recording Exception; IP Address Conflict; MAC Address Conflict; FTP Server Exception ; Network cable disconnected |
| Linkage Method | Send Email; Trigger Sound; Trigger Recording; Trigger Capture; Notify Surveillance Center; Alarm Output |

| | |
|--------------------------|--|
| Video Analytics | Human/Vehicle Classification; Tripwire; Double Tripwire; Perimeter; Object Abandon; Object Missing; Heatmap; Loitering; Running; Parking; People Counting; Safety Helmet Detection; On Duty Detection; Video Abnormal; Audio Abnormal; Crowded Detection |
| Auto-Tracking | Yes |
| Face Mode | Face Capture |
| Face Capture Performance | 60; 19; ≤100m; Detect up to 32 faces at the same scene; Capture up to 16 faces at the same scene; Capture rate ≥99%(continuous scene with 10 people or less); Gender 85%,age (±5) 85%,mask 90%,glasses 85%,beard 80% (Less than 10 people in view) |
| Network | |
| ANR | Yes |
| Protocols | RTSP; RTMP; HTTP; HTTPS; TCP/IP; UDP; UPnP; ICMP; IGMP; SNMP v1\v2\v3; DHCP; DNS; DDNS; Easy DDNS; NTP; SMTP; TLS v1.2; SSL; 802.1x; QoS; IPv4; IPv6; PPPoE; SSH; Unicast; Multicast; ARP; RTP; SRTP; FTP; SFTP |
| System Compatibility | P2P; ONVIF(Profile S/T/G/M); SDK; CGI; Milestone; RTSP; RTMP; HTTP PUSH |
| Remote Connection | ≤7 |
| User/Host | 32users, Level 4:Admin/Browse/Browse+Control/Browse+Control+Set |
| Client | Easy7 VMS |
| Moblie Client | EasyLive Plus |
| Web | IE10+; Firefox52+; Edge89+; Safari11+; Chrome57+ |
| Interface | |
| Communication Interface | 1*RJ45 (10/100Base-T) |
| Audio I/O | 1*Input Impedance 1kΩ,2.0~2.4Vp-p; 1*Output Impedance 600Ω |
| Alarm I/O | 8*Switching; 2*Switching,Voltage≤DC24V,Current≤1A |
| Reset Button | Yes |
| On-board Storage | Support microSD/microSDHC/microSDXC card,up to 512GB |
| Additional Interfaces | RS-485 |
| General | |
| Web Client Language | 19 languages Simple Chinese/English/Traditional Chinese/Spanish/Italian/ Korean/Turkish/Russian/Thai/ Polish/ French/Dutch/ Hebraism/Vietnamese/Arabic/German/ Ukrainian /Portuguese/Albanian |
| Operating Temperature | -40°C~70°C(-40°F~158°F) |
| Operating Humidity | ≤95%RH |
| Storage Temperature | -40°C~70°C(-40°F~158°F) |
| Storage Humidity | 10%~95%RH(non-condensing) |
| Power Supply | AC24V±25%\DC24V±10%; PoE:IEEE 802.3bt |
| Power Consumption | 20W(IR OFF) ; 38W(IR ON) |
| Protection | Surge4000V; ESD6000V; IP66 |
| Material | Metal |
| Boundary Dimensions | 222(D)372(H)mm |

| | |
|--------------------|----------------------|
| Package Dimensions | 320(L)320(W)520(H)mm |
| GrossWeight | 8.45kg |
| NetWeight | 5.3kg |

DIMENSIONS (Unit: mm)



Assembly diagram of Junction Box



DF20Y



TC-P32EM



A35



DF21Y



A36