

# 25 SERIES HN25



HN250x0100L/HN250x0100



HN25160200L/HN25160200



HN25640800



## 4 / 8 / 16 / 64 Ch 4K Embedded NVR

Introducing Honeywell's 25 Series HN25 NVRs, a robustly-featured, cost-effective, NDAA Section 889 compliant NVR solution delivering 4K HD (UHD) video resolution perfect for small/medium businesses and enterprises. Choose a 4, 8, 16 or 64 channel NVR with multiple hard drive options and up to 12 TB (per drive) of internal storage for a flexible solution that grows with your business.

### FULLY-FEATURED NVRS

- High decoding capability for 4K Ultra HD (UHD) viewing and recording
- View 1 to 16 channels simultaneously with synchronized real-time playback on your monitor (depending on the decoding capacity and recording resolution)
- Up to 8 MP (4K) resolution live view and playback
- Supports H.265 HEVC, H.264, Smart Codec
- Multiple de-warping options of Honeywell fisheye camera video on NVR web UI, Honeywell Smart Viewer (HSV) and HSV Mobile App
- Together with 25 series cameras, offering bandwidth saving features like Smart codec
- Notifications from expanded video analytics on 25 Series cameras
- Two-way audio/push notification
- Supports integration with Maxpro VMS

### DYNAMIC, ACCESSIBLE MONITORING

- Global P2P Service with reliable connection anytime, anywhere
- Mobile apps provide anytime, anywhere access for both Apple® and Android™ devices
- Video Analytics (VA) search based on object type (person, vehicle)

### CONVENIENT, FLEXIBLE STORAGE OPTIONS

- Internal storage supports 8 HDDs expandable up to 12 TB (per drive)
- Store video clips and snapshots to external storage, such as USB device on local side or PC client on web side

### SECURE AND COMPLIANT SOLUTION

- For use as part of video systems which comply with NDAA Section 889
- PCI-DSS compliance

### EASY TO SETUP AND USE

- Plug and play feature together with 25 Series cameras for rapid and simple setup
- All channels PoE, making it easy to use while also reducing total cost of ownership
- Intuitive NVR design, quick installation wizard and easy-to-understand installation guide for fast and easy setup

## FEATURES

- H.265/H.264
- HDMI/VGA simultaneous video output
- USB ports support Keyboard and Mouse
- Supports alarm input and alarm output
- Supports sending events through email, FTP, alarm out or push notification
- Configurable to automatically detect and respond to motion in the scene, alarm inputs, and network failure or tampering
- Supports visual or auditory notifications such as a flashing light, bell, or siren
- Supports recording a video clip of events for distribution

# 25 SERIES - HN25 4 / 8 / 16 / 64 CH 4K EMBEDDED NVR

## TECHNICAL SPECIFICATIONS

SYSTEM	
Main Processor	ARM Processor
Operating System	Embedded LINUX
ONVIF Compliance	ONVIF Profile S
User Management	User Level: Administrator, Regular User
Log	System log, Event log
Date & Time	Time Zone, Manual, Automatic Sync NTP, Daylight Saving Time
Fan	HN25160200/HN25640800: Supported
Security	Encrypted streaming & control
SoC	HN25040100L/HN25080100L/HN25040100/HN25080100: NT98631 HN25160200L/HN25160200: NT98332 HN25640800: 2*NT98336
DDR	HN25040100L/HN25080100L/HN25040100/HN25080100: 512 MB HN25160200L/HN25160200: 1 GB HN25640800: 5 GB
Flash	HN25040100L/HN25080100L/HN25040100/HN25080100: 16 MB HN25160200L/HN25160200: 256 MB HN25640800: 512 MB
VIDEO	
Inputs	HN25040100L/HN25040100: 4 channels HN25080100L/HN25080100: 8 channels HN25160200L/HN25160200: 16 channels HN25640800: 64 channels
AUDIO	
Audio Input/Output	HN25040100L/HN25080100L/HN25040100/HN25080100: 3.5 mm Line out x1 HN25160200L/HN25160200/HN25640800: 3.5 mm Line in x1, 3.5 mm Line out x1
Audio Format	G.711
DISPLAY	
Interface	HN25040100L/HN25080100L/HN25160200L/HN25040100/ HN25080100/ HN25160200: HDMI x 1(4K), VGA x 1(1080P) HN25640800: HDMI x 2 (only HDMI1 support 4k), VGA x1 (1080P)
Resolution	3840 x 2160, 1920 x 1080, 1280 x 1024, 1024 x 768
Display Split	HN25040100L/HN25040100: 1x1, 2x2, customs HN25080100L/HN25080100: 1x1, 2x2, 3x3, 1+7, customs HN25160200L/HN25160200: 1x1, 2x2, 3x3, 4x4, 1+7, customs HN25640800: 1x1, 2x2, 3x3, 4x4, 1+7, 4+28, 6x6, customs
OSD	Time OSD, channel OSD
Stream Application	HN25040100L/HN25040100: 1X1: 1ch 8MP MAX, 2x2: 4ch 2MP HN25080100L/HN25080100: 1X1: 1ch 8MP MAX, 2x2: 4ch 2MP, 3x3: 8ch D1 HN25160200L/HN25160200: 1X1: 1ch 8MP MAX, 2x2: 4ch 4MP, 3x3: 9ch D1, 4x4: 16ch D1 HN25640800: 1X1: 1ch 12MP MAX, 2x2: 4ch 4MP, 3x3: 9ch 720P, 4x4: 16ch 720P
Fisheye Dewarp	HN25640800: Supported
PTZ Operation	Direction control, home,iris, preset
Language	
RECORDING	
Compression	H.265/H.264
Resolution	HN25040100L/HN25080100L/HN25160200L/HN25040100/ HN25080100/HN25160200: Up to 3840x2160 HN25640800: Up to 4000x3000
Frame Rate	30 fps
Recording Mode	Continuous, Manual, Event
Pre-Event Recording Interval	Main stream: 1 Mbps Sub stream: 0.5 Mbps
Post-Event Recording Interval	30 s (Max. 60 s)
Recording Stream	Camera Stream 1 Camera Stream 2
Recording Throughput	HN25040100L/HN25040100: 40 Mbps HN25080100L/HN25080100: 64 Mbps HN25160200L/HN25160200: 160 Mbps HN25640800: 384Mbps

VIDEO DETECTION AND ALARMS	
Event	<b>Camera:</b> Camera Alarm In, Video Loss, Audio Detection, Temperature Threshold Alarm, Temperature Threshold Warning, Temperature Difference Alarm, Temperature Difference Warning, Temperature Section Alarm, Temperature Rise Alarm, Temperature Rise Warning, Face Detection, Motion Detection, Smart Motion Detection, Scene Change, Smoker Detection, Smoke And Flame Detection, Fire Spot Detection, Intrusion, Line Crossing Detection, Unattended Object Detection, Missing Object Detection, Wrong Way Detection, Multi Loitering, People Counter, Illegal Access, White List License Plate Detection, Black List License Plate Detection, Visitor List License Plate Detection <b>System:</b> IP Conflict, Network Disconnected, No Disk, Disk Error, Disk Full, NAS Offline, Auto Backup Failed, People Counter (NVR)
Event Action	Push message to App, Pop up message to monitor, Email, Buzzer, FTP/SFTP, PTZ, Full screen, Event recording, Enable camera alarm out, Trigger the IP speaker
Supported Cameras	25 series cameras
Alarm Input	HN25160200L/HN25160200: 8 HN25640800: 16
Alarm Out	HN25160200L: 1 HN25160200: 2 HN25640800: 6
RS485	HN25640800: Supported
RS232	HN25640800: Supported
e-SATA	HN25640800: Supported
Hard Reset	Supported
STORAGE	
Internal HDD Slots	HN25040100L/HN25080100L/HN25040100/HN25080100: Internal x1 (3.5") HN25160200L/HN25160200: Internal x2 (3.5") HN25640800: Internal x 8 (3.5")
HDD Max. Capacity*	12 TB
Manual Backup	USB Dongle (FAT format)
PLAYBACK AND BACKUP	
Sync Playback	HN25040100L/HN25040100: 4ch HN25080100L/HN25080100: 8ch HN25160200L/HN25160200: 16ch HN25640800: 16ch
Decoding	HN25040100L/HN25080100L/HN25040100/HN25080100/ HN25160200L/HN25160200: H.265/H.264: 3840 x 2160 @ 30 fps (1-CH) 2560 x 1920 @ 30fps (1-CH) 1920 x 1080 @ 120 fps (4-CH) HN25640800: H.265/H.264: 4000 x 3000 @ 30 fps (1-CH) 2560 x 1440 @ 120fps (4-CH) 1280 x 720(720P) @ 480 fps (16-CH) 720 x 576 @ 960 fps (32-CH)
Search Mode	Time search, Event Search, Video clip
Playback Function	Regular (play, pause, stop), Play backwards, Next frame, Go back 30 seconds, Go forward 30 seconds, Speed control, Timeline, Timeline scale, Digital zoom, Snapshot, Back up
Snapshot	JPG
NETWORK	
Ethernet	HN25040100L/HN25080100L/HN25040100/HN25080100/ HN25160200: 10/100Mbps Ethernet (RJ-45) x 1 HN25160200L/HN25640800: 10/100/1000Mbps Ethernet (RJ-45) x 2
PoE	HN25040100: 802.3af compliant PoE ports x 4 HN25080100: 802.3af compliant PoE ports x 8 HN25160200: 802.3af/at compliant PoE ports x 16
Supported Protocols	IPv4, TCP/IP, HTTP, HTTPS, UPnP, RTSP/RTP/RTCP, SMTP, FTP, DHCP, NTP, DNS, DDNS, IP Filter, P2P
Maximum Number of Users	16
Network Throughput	HN25040100L/HN25040100: 40 Mbps HN25080100L/HN25080100: 64 Mbps HN25160200L/HN25160200: 160 Mbps HN25640800: 384 Mbps
Smart Phone Compatibility	iOS 11 or later and Android 5.0 or later support
Browsers	Edge, Chrome, Firefox, Safari

\*For detailed information about compatible HDDs, please refer to the user guide.

# 25 SERIES - HN25 4 / 8 / 16 / 64 CH 4K EMBEDDED NVR

## AUXILIARY INTERFACE

USB Ports	HN25040100L/HN25080100L/HN25160200L/HN25040100/
	HN25080100: USB2.0 x 2
	HN25160200: Front x2, usb2.0, Back x1, usb2.0
	HN25640800: Front x2, usb2.0, Back x2, usb3.0

## ELECTRICAL

Power Supply	HN25040100L/HN25080100L: DC12V/2A, 50/60Hz (TBD)
	HN25160200L: DC12V/3A, 50/60Hz
	HN25040100: DC48V/1.36A, 50/60Hz
	HN25080100: DC48V/1.875A, 50/60Hz
HN25160200/HN25640800: 100 to 240VAC	

Power Consumption < 15 W (without HDD)

## ENVIRONMENTAL

Operating Temperature	-10°C ~ 50°C (14°F ~ 122°F)
Relative Humidity	Less than 90% RH
Storage Temperature	-40°C ~ 60°C (-40°F ~ 140°F)

## PHYSICAL

Dimensions	HN25040100L/HN25080100L/HN25040100/HN25080100: 225.1 × 254.5 × 43.9mm (8.86" × 10.02" × 1.73")
	HN25160200L/HN25160200: 372.0 × 313.3 × 46.4mm (14.65" × 12.33" × 1.83")
	HN25640800: 496.0 × 474.4 × 112.0mm (19.53" × 18.68" × 4.41")
Weight (Without HDD)	

## REGULATORY

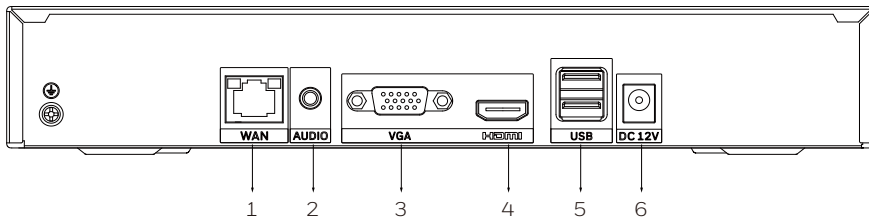
Emissions	
Immunity	
Safety	
RoHS	
Country of Origin	
Warranty	

## RECOMMENDED CAMERAS

Fixed Dome Cameras	HC25D42R1, HC25D44R1, HC25W45R1, HC25W48R1, HC25C42R1, HC25C44R1, HC25C45R1, HC25C48R1
MFZ Dome Camera	HC25D42R2/HC25D44R2/HC25W45R2/HC25W48R2/HC25C42R2/HC25C44R2/HC25C45R2/HC25C48R2
Fixed Bullet Camera	HC25DB4R1/HC25WB5R1/HC25WB8R1/HC25CB2R1/HC25CB4R1/HC25CB5R1/HC25CB8R1
MFZ Bullet Camera	HC25DB2R2/HC25DB4R2/HC25WB5R2/HC25WB8R2/HC25CB2R2/HC25CB4R2/HC25CB5R2/HC25CB8R2
Fixed Ball Camera	HC25DE2R1/HC25DE4R1/HC25WE5R1/HC25WE8R1/HC25CE2R1/HC25CE4R1/HC25CE5R1/HC25CE8R1
MFZ Ball Camera	HC25DE2R2/HC25DE4R2/HC25WE5R2/HC25WE8R2/HC25CE2R2/HC25CE4R2/HC25CE5R2/HC25CE8R2
Speed Dome Camera (PTZ)	HC25CZ5R18

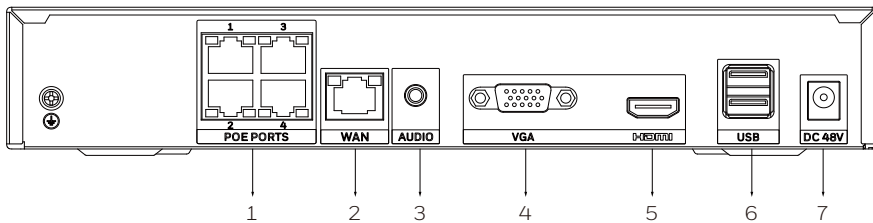
## SYSTEM DIAGRAM

HN25040100L/HN25080100L



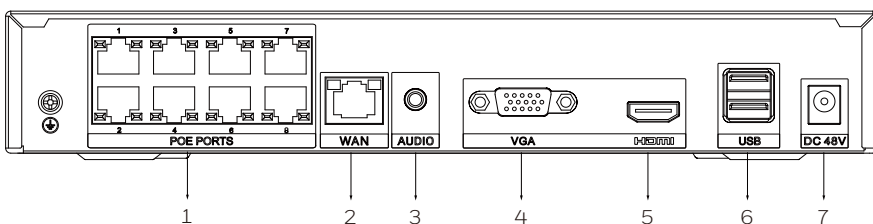
1. WAN Port 2. Audio Port 3. VGA Port 4. HDMI Port 5. USB Ports 6. DC 12V Power Input

HN25040100



1. PoE Ports 2. WAN Port 3. Audio Port 4. VGA Port 5. HDMI Port 6. USB Ports 7. DC 48V Power Input

HN25080100

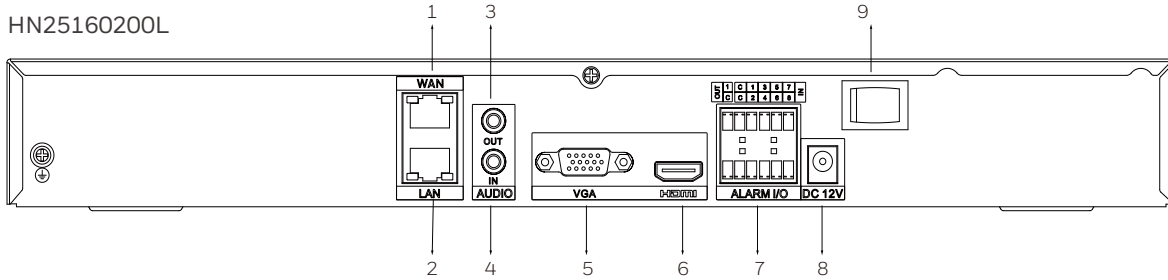


1. PoE Ports 2. WAN Port 3. Audio Port 4. VGA Port 5. HDMI Port 6. USB Ports 6. DC 48V Power Input

# 25 SERIES - HN25 4 / 8 / 16 / 64 CH 4K EMBEDDED NVR

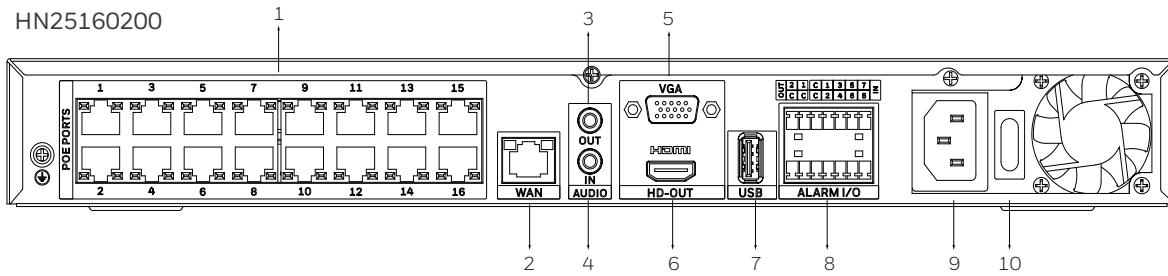
## SYSTEM DIAGRAM

HN25160200L



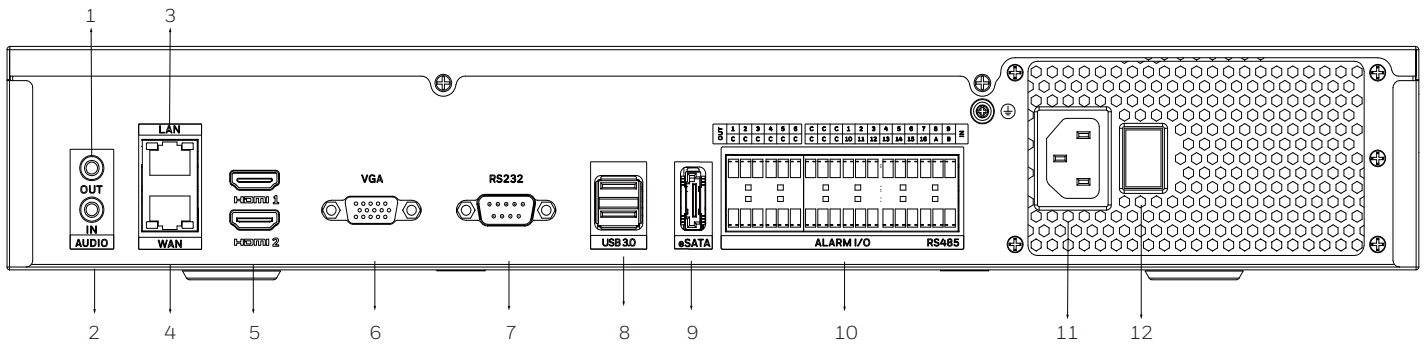
1. WAN Port 2. LAN Port 3. Audio Out 4. Audio In 5. VGA Port 6. HDMI Port 7. Alarm Input/Output 8. DC 12V Power Input 9. Power Switch

HN25160200



1. PoE Ports 2. WAN Port 3. Audio Out 4. Audio In 5. VGA Port 6. HDMI Port 7. USB Port 8. Alarm Input/Output 9. Power Input 10. Power Switch

HN25640800

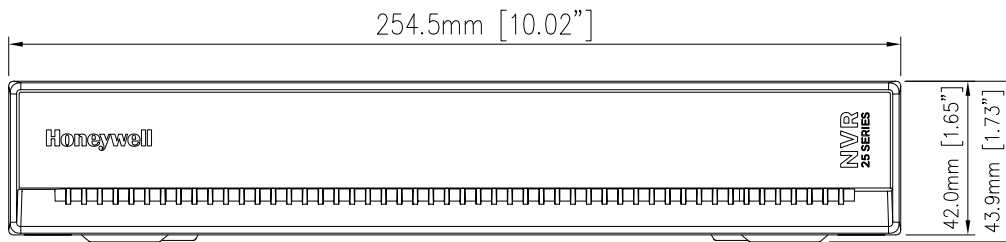
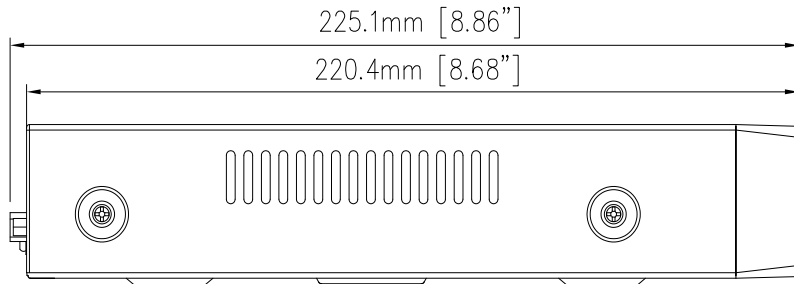


1. Audio Out 2. Audio In 3. LAN Port 4. WAN Port 5. HDMI 1 Port / HDMI 2 Port 6. VGA Port 7. RS232 Port 8. USB Port 9. eSATA Port 10. Alarm Input/Output 11. Power Input 12. Power Switch

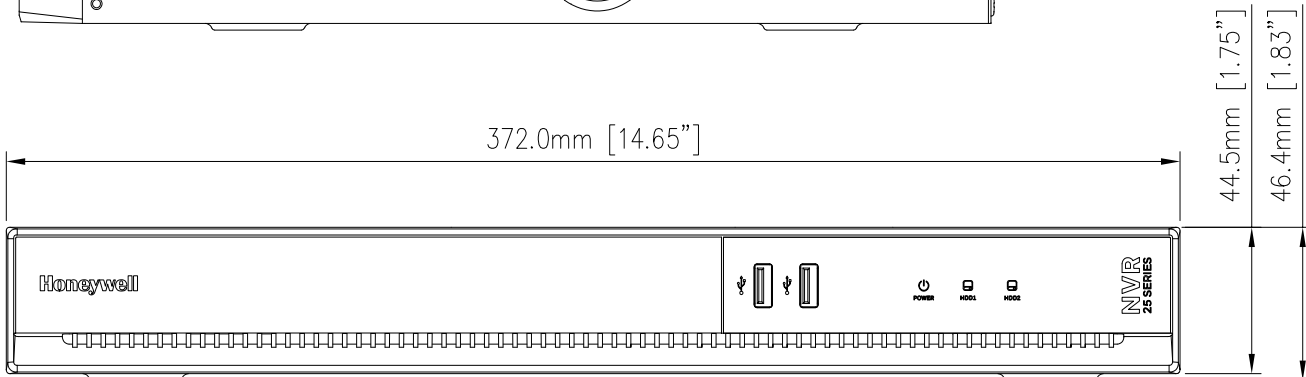
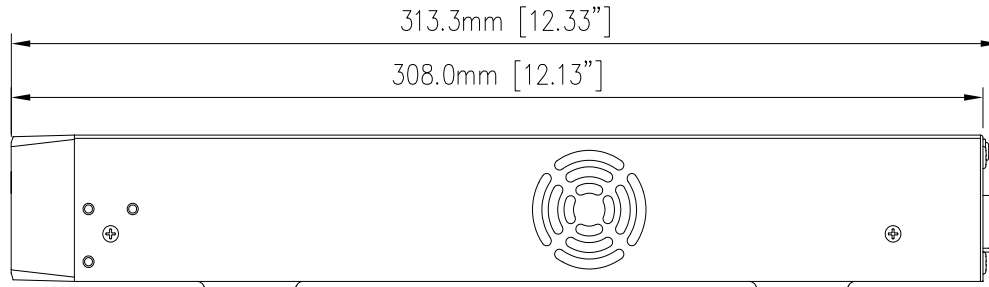
# 25 SERIES - HN25 4 / 8 / 16 / 64 CH 4K EMBEDDED NVR

## DIMENSIONS

HN25040100L/HN25080100L/HN25040100/HN25080100



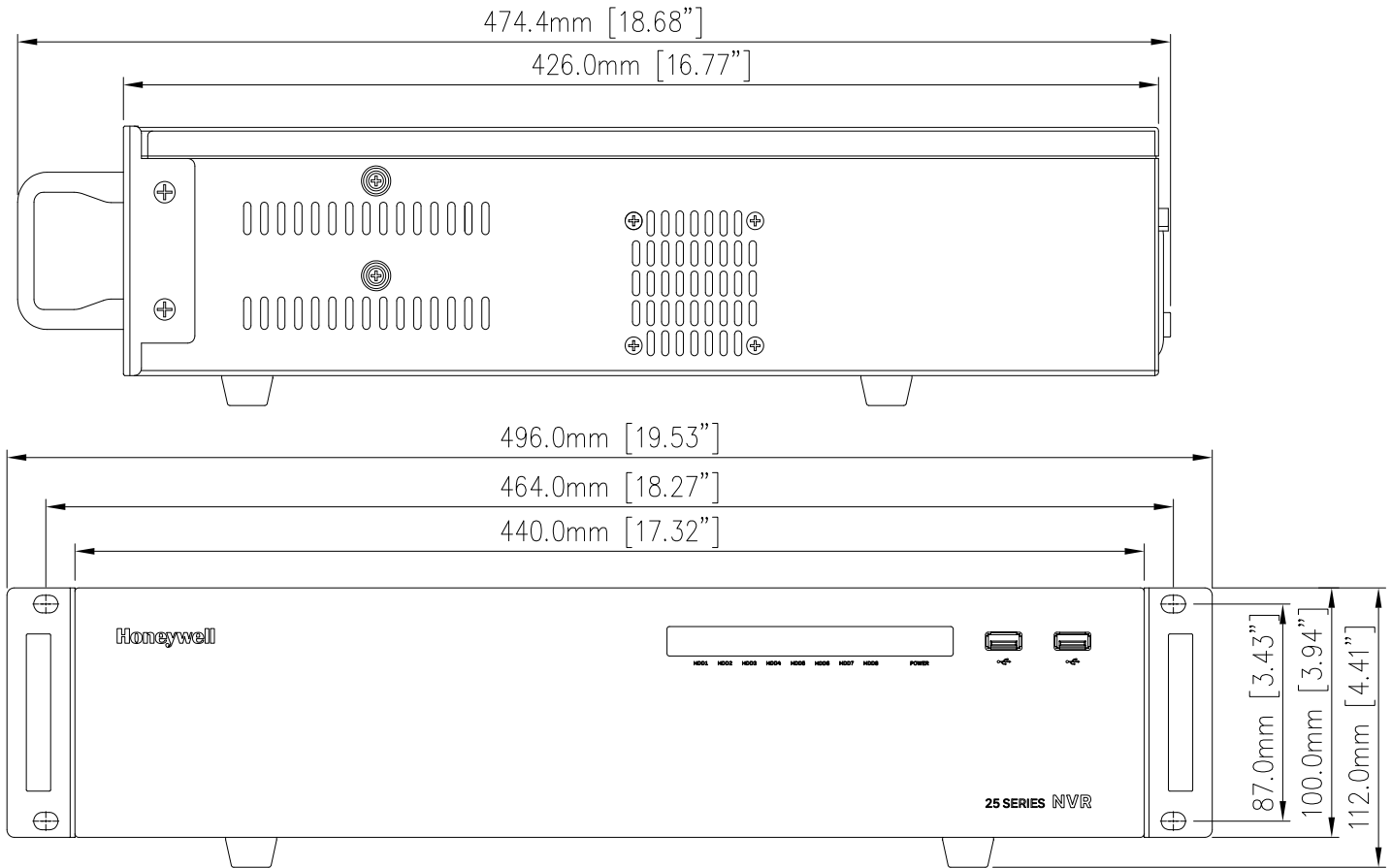
HN25160200L/HN25160200



# 25 SERIES - HN25 4 / 8 / 16 / 64 CH 4K EMBEDDED NVR

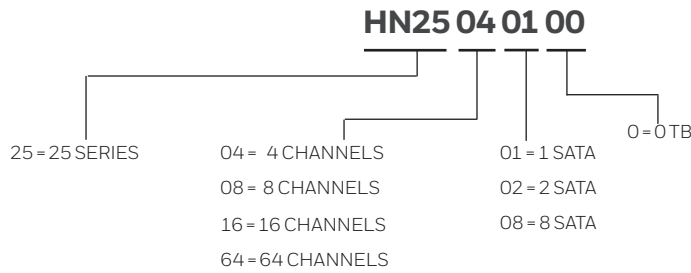
## DIMENSIONS

HN25640800



# 25 SERIES - HN25 4 / 8 / 16 / 64 CH 4K EMBEDDED NVR

## PART NUMBER LOOKUP



## ORDERING

MODEL	DESCRIPTION
<b>HN25 - 4/ 8 CH</b>	
HN25040100L	25S 4CH 1SATA no PoE NVR
HN25080100L	25S 8CH 1SATA no PoE NVR
HN25040100	25S 4CH 1SATA 4 PoE NVR
HN25080100	25S 8CH 1SATA 8 PoE NVR
<b>HN25 - 16 CH</b>	
HN25160200L	25S 16CH 2SATA no PoE NVR
HN25160200	25S 16CH 2SATA 16 PoE NVR

MODEL	DESCRIPTION
<b>HN25 - 64 CH</b>	
HN25640800	25S 64CH 8SATA no PoE NVR
MODEL	DESCRIPTION
<b>HN25 Surveillance Hard Disk Drive*</b>	

\*For detailed information about compatible HDDs, please refer to the user guide.

**For more information:**  
buildings.honeywell.com/security



ONVIF and the ONVIF logo are trademarks of ONVIF Inc.  
HEVC Advance logo is a trademark of HEVC Advance  
Honeywell reserves the right, without notification, to  
make changes in product design or specifications.

**Honeywell Commercial Security**  
715 Peachtree St. NE  
Atlanta, GA 30308  
1.800.323.4576  
[www.honeywell.com](http://www.honeywell.com)

HBA-SEC-25S-NVR-01-US(0925)DS-Y  
© 2025 Honeywell International Inc.

**Honeywell**