

# 25 SERIES HC25CExR1-V



2/4/5/8 MP – IR Fixed Eyeball, Dual Light Color Cameras

**3 YEAR**  
WARRANTY

**ONVIF®** | **SGTM**

OPERATIONAL	
RAM	HC25CE2R1-V/HC25CE4R1-V: 1 Gigabit HC25CE5R1-V/HC25CE8R1-V: 2 Gigabits
Flash	2 Gigabits
Video Standard	NTSC/PAL
Scanning System	Progressive
Image Sensor	HC25CE2R1-V/HC25CE4R1-V: 1/3" HC25CE5R1-V/HC25CE8R1-V: 1/2.7"
Sensor Size (H x V)	HC25CE2R1-V: 5.184 mm x 2.196 mm HC25CE4R1-V: 5.120 mm x 2.880 mm HC25CE5R1-V/HC25CE8R1-V: 5.76 mm x 3.24 mm
Number of Pixels (H x V)	HC25CE2R1-V: 1920 x 1080 HC25CE4R1-V: 2560 x 1440 HC25CE5R1-V: 2880 x 1620 HC25CE8R1-V: 3840 x 2160
Minimum Illumination (Color/BW)	HC25CE2R1-V: Color: 0.0045 Lux@30IRE,F1.6 BW: 0 Lux (IR LED ON) HC25CE4R1-V: Color: 0.007 Lux@30IRE,F1.6 BW: 0 Lux (IR LED ON) HC25CE5R1-V: Color: 0.009 Lux@30IRE,F1.6 BW: 0 Lux (IR LED ON) HC25CE8R1-V: Color: 0.02 Lux@30IRE,F1.6 BW: 0 Lux (IR LED ON)
S/N Ratio	55 dB
Electronic Shutter Speed	1/5 to 1/20,000 s
IR Distance	HC25CE2R1-V: IR up to 30 m (98.4 ft), Warm Light up to 20 m (65.6 ft) HC25CE4R1-V/HC25CE5R1-V/HC25CE8R1-V: IR up to 30 m (98.4 ft), Warm Light up to 15 m (49.2 ft)
IR Light Control	Smart/Manual/Intelligent/OFF
IR Light Number	3
Day/Night	Auto / Day Mode / Night Mode / Timing
Backlight Compensation	HC25CE2R1-V/HC25CE4R1-V: WDR, BLC, HLC, LDC HC25CE5R1-V/HC25CE8R1-V: WDR, BLC, HLC
White Balance	Auto / Tungsten / Fluorescent / Daylight / Shadow / Manual
Gain Control	0 ~ 100%
Wide Dynamic Range	HC25CE2R1-V: 80 dB HC25CE4R1-V: 90 dB HC25CE5R1-V/HC25CE8R1-V: 120 dB
Noise Reduction	2D / 3D DNR
Lens	2.8 mm, F1.6
Angle of View (H x V)	HC25CE2R1-V/HC25CE4R1-V: H: 96°, V: 53° HC25CE5R1-V/HC25CE8R1-V: H: 110°, V: 59.6°
Privacy Masking	Off/On (4 Areas)
Defog	Supported
Local Storage	Micro SD (up to 1 TB)
Alarm Inputs / Outputs	HC25CE5R1-V/HC25CE8R1-V: 1 In / 1 Out
Pan Range	0°-355°
Tilt Range	0°-80°
Rotation Range	0°-360°

VIDEO	
Video Compression	H.265 HEVC/H.264/MJPEG, Smart Codec
Resolution	<b>HC25CE2R1-V:</b> Stream 1 1920 x 1080, 1280 x 720 Stream 2 704 x 576(PAL)/704 x 480(NTSC), 640 x 360, 480 x 360, 352 x 288(PAL)/352 x 240(NTSC) <b>HC25CE4R1-V:</b> Stream 1 2560 x 1440, 2304 x 1296, 1920 x 1080, 1280 x 720 Stream 2 704 x 576(PAL)/704 x 480(NTSC), 640 x 360, 480 x 360, 352 x 288(PAL)/352 x 240(NTSC) <b>HC25CE5R1-V:</b> Stream 1 2880 x 1620/2592 x 1520/1920 x 1080/1280 x 720 Stream 2 704 x 576(PAL)/704 x 480(NTSC)/640 x 480/352 x 288(PAL)/ 352 x 240(NTSC) Stream 3 640 x 480/352 x 288(PAL)/352 x 240(NTSC)/320 x 240 <b>HC25CE8R1-V:</b> Stream 1 3840 x 2160, 2880 x 1620, 2592 x 1520, 2560 x 1440, 2304 x 1296, 1920 x 1080, 1280 x 720 Stream 2 704 x 576(PAL) / 704 x 480(NTSC) / 640 x 480 / 352 x 288(PAL) / 352 x 240(NTSC) Stream 3 640 x 480/352 x 288(PAL) / 352 x 240(NTSC) / 320 x 240
Number of Video Streams	HC25CE2R1-V/HC25CE4R1-V: 2 HC25CE5R1-V/HC25CE8R1-V: 3
Frame Rate Main Stream	<b>HC25CE2R1-V/HC25CE4R1-V/HC25CE5R1-V:</b> H.265/H.264: Max. 30fps/25fps(60Hz/50Hz) MJPEG: Max 12fps <b>HC25CE8R1-V:</b> H.264/H.265: MAX 25fps (WDR on 20fps) MJPEG: Max 12fps
Frame Rate Second Stream	<b>HC25CE2R1-V/HC25CE4R1-V/HC25CE5R1-V:</b> H.265/H.264: Max. 30fps/25fps(60Hz/50Hz) MJPEG: Max 12fps <b>HC25CE8R1-V:</b> H.264/H.265: MAX 25fps (WDR on 20fps) MJPEG: Max 12fps
Frame Rate Third Stream	<b>HC25CE5R1-V:</b> H.265/H.264: Max. 30fps/25fps(60Hz/50Hz) MJPEG: Max 12fps <b>HC25CE8R1-V:</b> H.264/H.265: MAX 25fps (WDR on 20fps) MJPEG: Max 12fps

**Honeywell**

# 25 SERIES 2 / 4 / 5 / 8 MP - IR FIXED EYEBALL, DUAL LIGHT COLOR CAMERAS

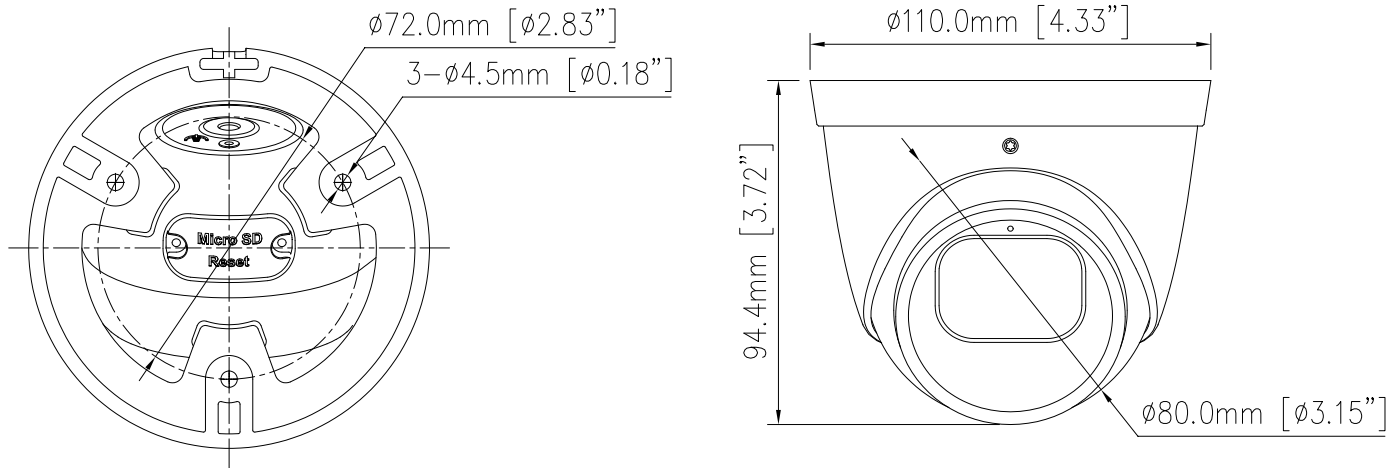
Bit Rate	<b>HC25CE2R1-V:</b> H.264/H.265 1920 × 1080, 1280 × 720 @25/30fps 500-4096kbps 704 × 576(PAL)/704 × 480(NTSC) @25/30fps 128-4096kbps 640 × 360, 480 × 360, 352 × 288(PAL)/352 × 240(NTSC) @25/30fps 128-1500kbps MJPEG 1920 × 1080, 1280 × 720 @12fps 500-4096kbps 704 × 576(PAL)/704 × 480(NTSC) @12fps 128-4096kbps 640 × 360, 480 × 360, 352 × 288(PAL)/352 × 240(NTSC) @12fps 128-1500kbps <b>HC25CE4R1-V:</b> H.264/H.265 2560 × 1440, 2304 × 1296, 1920 × 1080, 1280 × 720 @25/30fps 500-4096kbps 704 × 576(PAL)/704 × 480(NTSC) @25/30fps 100-4096kbps 640 × 360, 480 × 360, 352 × 288(PAL)/352 × 240(NTSC) @25/30fps 100-1500kbps MJPEG 1920 × 1080, 1280 × 720 @12fps 500-4096kbps 704 × 576(PAL)/704 × 480(NTSC) @12fps 100-4096kbps 640 × 360, 480 × 360, 352 × 288(PAL)/352 × 240(NTSC) @12fps 100-1500kbps <b>HC25CE5R1-V:</b> H.264/H.265 2880 × 1620, 2592 × 1520, 1920 × 1080 @25/30fps 500-8000kbps 1280 × 720 @25/30fps 200-8000kbps 704 × 576(PAL)/704 × 480(NTSC) @25/30fps 100-6000kbps 640 × 480 @25/30fps 100-3000kbps 352 × 288(PAL)/352 × 240(NTSC), 320 × 240 @25/30fps 100-1500kbps MJPEG 1920 × 1080 @12fps 500-8000kbps 1280 × 720 @12fps 200-8000kbps 704 × 576(PAL)/704 × 480(NTSC) @12fps 100-6000kbps 640 × 480 @12fps 100-3000kbps 352 × 288(PAL)/352 × 240(NTSC), 320 × 240 @12fps 100-1500kbps <b>HC25CE8R1-V:</b> H.264/H.265 3840 × 2160, 2880 × 1620, 2592 × 1520, 2560 × 1440, 2304 × 1296, 1920 × 1080 @25fps (WDR on 20fps) 500-8000kbps 1280 × 720 @25fps (WDR on 20fps) 200-8000kbps 704 × 576(PAL)/704 × 480(NTSC) @25fps (WDR on 20fps) 100-6000kbps 640 × 480 @25fps (WDR on 20fps) 100-3000kbps 352 × 288(PAL)/352 × 240(NTSC), 320 × 240 @25fps (WDR on 20fps) 100-1500kbps MJPEG 1920 × 1080 @12fps 500-8000kbps 1280 × 720 @12fps 200-8000kbps 704 × 576(PAL)/704 × 480(NTSC) @12fps 100-6000kbps 640 × 480 @12fps 100-3000kbps 352 × 288(PAL)/352 × 240(NTSC), 320 × 240 @12fps 100-1500kbps
	<b>AUDIO</b>
Audio Compression	G711ALAW, G711ULAW, RAWPCM
Audio Stream	<b>HC25CE2R1-V/HC25CE4R1-V:</b> 1-way, audio input <b>HC25CE5R1-V/HC25CE8R1-V:</b> 2-way, full duplex
Audio Interface	<b>HC25CE2R1-V/HC25CE4R1-V:</b> Built-in Mic <b>HC25CE5R1-V/HC25CE8R1-V:</b> 1 Line In / 1 Line Out, Built-in Mic
<b>NETWORK</b>	
Ethernet	10 Base-T/100 Base-TX Ethernet (RJ-45)
Supported Web Browsers	Chrome, Firefox, Microsoft Edge
Supported OS	Microsoft Windows 10, 11
Protocols*	IPv4, IPv6, TCP / IP, HTTP, HTTPS, UPnP, RTSP / RTP / RTCP, IGMP / Multicast, SMTP, DHCP, NTP, DNS, QoS, SNMP, 802.1X, UDP, ICMP, ARP, TLS/SSL, FTP/SFTP/FTPS, DDNS, Bonjour, System Log
Interoperability	ONVIF Profile S/G/T/M
Maximum Users Access	10 Users
Security	User account and password protection, HTTPS, IP Filter, Digest authentication, TLS1.3, Stream encryption, AES128 / 256, SSH / Telnet closed OS / Firmware Protect, Firmware encryption User authentication Digest Authentication, Prevent brute-force attack Network authentication 802.1X Authentication(EAP-TLS) Audit User Access/System/Event log management Secure Storage SD card partition encryption Secure Boot
Languages Supported	Arabic, Chinese (Traditional), Czech, Dutch, English, French, German, Italian, Japanese, Korean, Polish, Portuguese (Brazil), Spanish, Turkish

<b>EVENTS/ANALYTICS</b>	
Video Analytics	<b>HC25CE2R1-V/HC25CE4R1-V:</b> Motion detection, Smart motion, Scene Change, Intrusion, Line Crossing <b>HC25CE5R1-V/HC25CE8R1-V:</b> Motion detection, Smart motion, Scene Change, Intrusion, Multi loitering, People counter, Line crossing Detection, Face Detection, Unattended Object, MissingObject, Multi-Object Detection
Event Type	<b>HC25CE2R1-V/HC25CE4R1-V:</b> Analytics alarm, Security alarm, Disk alarm, Recording alarm, Audio Detection, Illegal Access Alarm <b>HC25CE5R1-V/HC25CE8R1-V:</b> Analytics alarm, Security alarm, SD Card Alarm, Recording alarm, Alarm input, Audio Detection, Illegal Access Alarm
Event Linkage	<b>HC25CE2R1-V/HC25CE4R1-V:</b> SMTP, Alarm record, FTP Uploading <b>HC25CE5R1-V/HC25CE8R1-V:</b> SMTP, Alarm record, FTP Uploading, Alarm Output, Audio Output
Region of Interest	8
<b>ELECTRICAL</b>	
Power Supply	DC12V <sup>+</sup> 1A; or PoE 44-57V <sup>+</sup> , 350mA
Power Consumption (Max)	<b>HC25CE2R1-V:</b> Max. 4.8 W <b>HC25CE4R1-V:</b> Max. 5 W <b>HC25CE5R1-V/HC25CE8R1-V:</b> Max.5.5W
<b>MECHANICAL</b>	
Dimensions	Ø110.0 × 94.4mm (Ø4.33" × 3.72")
Product Weight	<b>HC25CE2R1-V/HC25CE4R1-V:</b> 0.49 kg (1.08 lb) <b>HC25CE5R1-V:</b> 0.50 kg (1.1 lb) <b>HC25CE8R1-V:</b> 0.52 kg (1.15 lb)
Package Weight	<b>HC25CE2R1-V/HC25CE4R1-V:</b> 0.62 kg (1.37 lb) <b>HC25CE5R1-V/HC25CE8R1-V:</b> 0.63kg (1.39 lb)
Body Material	Metal + Plastic
Color	White(RAL9003)+Black
<b>ENVIRONMENTAL</b>	
Operating Temperature	<b>HC25CE2R1-V/HC25CE4R1-V:</b> -25°C ~ 55°C (-13°F ~ 131°F) <b>HC25CE5R1-V/HC25CE8R1-V:</b> -30°C ~ 60°C (-22°F ~ 140°F)
Relative Humidity	Less than 90 %, non-condensing
Ingress Protection	IP66
Impact Resistance	IK10 Housing
<b>REGULATORY</b>	
Emissions	FCC Part15B, ICES-003, CE EN55032, Complies with UKCA and RCM
Immunity	CE(EN 50130-4, EN 55035), Complies with RCM and UKCA
Safety	CE(EN 62368-1), RCM(AS/NZS 62368.1), Complies with UKCA
RoHS	CE(EN 63000),JAE(Cabinet Decree No.10 of 2017)
Country of Origin	Vietnam
Warranty	3 year

\*Some development may be required in specific user cases to support some of these protocols in the field as they mature over time.

# 25 SERIES 2 / 4 / 5 / 8 MP - IR FIXED EYEBALL, DUAL LIGHT COLOR CAMERAS

## DIMENSIONS



## SYSTEM COMPATIBILITY & RECOMMENDED ACCESSORIES

SYSTEM COMPATIBILITY		OPTIONAL MOUNTS AND ACCESSORIES*	
MAXPRO NVR HE	Up to 256 IP channels RAID5/6 enterprise NVR	HA35PMC03	35S fixed camera cap, 1.5NPT male
MAXPRO NVR PE	Up to 192 IP channels RAID5/6 enterprise NVR	HA35CLM01	35S ceiling mount base with adapter
MAXPRO NVR SE	Up to 96 IP channels system NVR	HA35CLM02	35S ceiling mount pendent extension, 252mm
MAXPRO NVR XE	Up to 24 IP channels system NVR	HA35JCBWML	35S wall mount bracket
MAXPRO NVR Software	Up to 256 IP channels recording software	HA35JCBHA1	35S all-in-one box, white
Milestone	Honeywell - Milestone Plug in	HA35PLM01	35S pole mount bracket
25 Series NVR	4/8/16-channel 25 series NVRs	HA35CNM01	35S corner mount bracket
35 Series NVR	4/8/16/32/64-channel 35 series NVRs		

\*Mounting accessories are not included with camera and must be ordered separately. Please refer to the cross reference matrix or accessories datasheet for detailed information.

## ORDERING

ORDERING		ORDERING	
HC25CE2R1-V	25S 2MP IR Fixed Eyeball, 2.8mm, Dual light color, PoE, COO Vietnam	HC25CE5R1-V	25S WDR 5 MP IR Fixed Eyeball, 2.8 mm, Dual light color, PoE, COO Vietnam
HC25CE4R1-V	25S 4MP IR Fixed Eyeball, 2.8mm, Dual light color, PoE, COO Vietnam	HC25CE8R1-V	25S WDR 8 MP IR Fixed Eyeball, 2.8 mm, Dual light color, PoE, COO Vietnam

### For More Information

[hwll.co/securityUK](http://hwll.co/securityUK)

### Building Automation

Commercial Security  
Building 5 Carlton Park  
King Edward Avenue  
Narborough, Leicester  
LE19 0LF

Tel: +44 (0)1163 500714

[www.honeywell.com](http://www.honeywell.com)



HEVC Advance™

ONVIF and the ONVIF logo are trademarks of ONVIF Inc.  
HEVC Advance logo is a trademark of HEVC Advance.  
Honeywell reserves the right, without notification, to  
make changes in product design or specifications.

HBA-SEC-25S-HC25CEXR1-V-DS-UK-EN-02-2026-V01-Y  
© 2026 Honeywell International Inc.

**Honeywell**