

25 SERIES HC25WB4R4LPR-V



4 MP – ANPR Bullet Camera

3 YEAR
WARRANTY

ONVIF® | S G T M

| OPERATIONAL | |
|---------------------------------|--|
| RAM | 2 x 8 Gigabits |
| Flash | EMMC 16 Gigabytes |
| Video Standard | NTSC/PAL |
| Scanning System | Progressive |
| Image Sensor | 1/1.8" |
| Sensor Size (H x V) | 7.5168 mm x 4.408 mm |
| Number of Pixels (H x V) | 2592 x 1520 |
| Minimum Illumination (Color/BW) | Color: 0.0025 Lux @30IRE, F1.6 BW: 0 Lux with IR on |
| S/N Ratio | 55 dB |
| Electronic Shutter Speed | 1/5 to 1/100,000 s |
| IR Distance | IR up to 70 m (229.7 ft) |
| IR Light Control | Smart/Manual/OFF |
| IR Light Number | 10 |
| Day/Night | Auto / Day Mode / Night Mode / Timing |
| Backlight Compensation | WDR, BLC, HLC |
| White Balance | Auto / Tungsten / Fluorescent / Daylight / Shadow / Manual |
| Gain Control | 0 ~ 100% |
| Wide Dynamic Range | 120 dB |
| Noise Reduction | 2D / 3D DNR |
| Lens | 8-32 mm |
| Electronic Image Stabilization | Yes |
| Angle of View (H x V) | H: 42°(Wide) ~ 15°(Tele) V: 22.8°(Wide) ~ 8.4°(Tele) |
| Privacy Masking | Off/On (4 Areas) |
| Defog | Supported |
| Local Storage | Micro SD (up to 1 TB) |
| Alarm Inputs / Outputs | 1ch Input, 2ch Output |
| Reader Interface | Supports Wiegand 26bit and Wiegand 34bit |
| VIDEO | |
| Video Compression | H.265 HEVC/H.264/MJPEG, Smart Codec |
| Resolution | Stream 1 2592 x 1520/2304 x 1296/1920 x 1080/1280 x 720 Stream 2 704 x 576(PAL)/704 x 480(NTSC)/640 x 480/352 x 288(PAL)/352 x 240(NTSC) Stream 3 640 x 480/352 x 288(PAL)/352 x 240(NTSC)/320 x 240 |
| Number of Video Streams | 3 |

| Frame Rate Main Stream | H.265/H.264: True WDR Max. 30fps/25fps(60Hz/50Hz) Non True WDR Max. 60fps/50fps(60Hz/50Hz) MJPEG: Max 12fps |
|--------------------------|--|
| Frame Rate Second Stream | H.265/H.264: Max. 30fps/25fps(60Hz/50Hz) MJPEG: Max 12fps |
| Frame Rate Third Stream | H.265/H.264: Max. 30fps/25fps(60Hz/50Hz) MJPEG: Max 12fps |
| Bit Rate | H.264/H.265 2592 x 1520 @ 500-16000kbps 2304 x 1296, 1920 x 1080 @ 500-12000kbps 1280 x 720 @ 200-8000kbps 704 x 576(PAL)/704 x 480(NTSC) @ 100-6000kbps 640 x 480 @ 100-3000kbps 352 x 288(PAL)/352 x 240(NTSC), 320 x 240 @ 100-1500kbps MJPEG 1920 x 1080 @ 500-12000kbps 1280 x 720 @ 200-8000kbps 704 x 576(PAL)/704 x 480(NTSC) @ 100-6000kbps 640 x 480 @ 100-3000kbps 352 x 288(PAL)/352 x 240(NTSC), 320 x 240 @ 100-1500kbps |
| AUDIO | |
| Audio Compression | G711ALAW, G711ULAW, RAWPCM |
| Audio Stream | 2-Way, full duplex |
| Audio Interface | 1ch Input, 1ch Output |
| NETWORK | |
| Ethernet | 10 Base-T/100 Base-TX Ethernet (RJ-45) |
| Supported Web Browsers | Chrome, Firefox, Microsoft Edge |
| Supported OS | Microsoft Windows 10, 11 |
| Protocols* | IPv4, IPv6, TCP / IP, HTTP, HTTPS, UPnP, RTP / RTP / RTCP, IGMP / Multicast, SMTP, DHCP, NTP, DNS, QoS, SNMP, 802.1X, UDP, ICMP, ARP, TLS/SSL, FTP/SFTP/FTPS, DDNS, Bonjour, System Log |
| Interoperability | ONVIF Profile S, G, T, M |
| Maximum Users Access | 10 Users |
| Security | User account and password protection, HTTPS, IP Filter, Digest authentication, TLS1.3, Stream encryption, AES128 / 256, SSH / Telnet closed OS / Firmware Protect, Firmware encryption User authentication Digest Authentication, Prevent brute-force attack Network authentication 802.1X Authentication(EAP-TLS) Audit User Access/System/Event log management Secure Storage SD card partition encryption Secure Boot |
| Languages Supported | Arabic, Chinese (Traditional), Czech, Dutch, English, French, German, Italian, Japanese, Korean, Polish, Portuguese (Brazil), Spanish, Turkish |

* Some development may be required in specific user cases to support some of these protocols in the field as they mature over time.

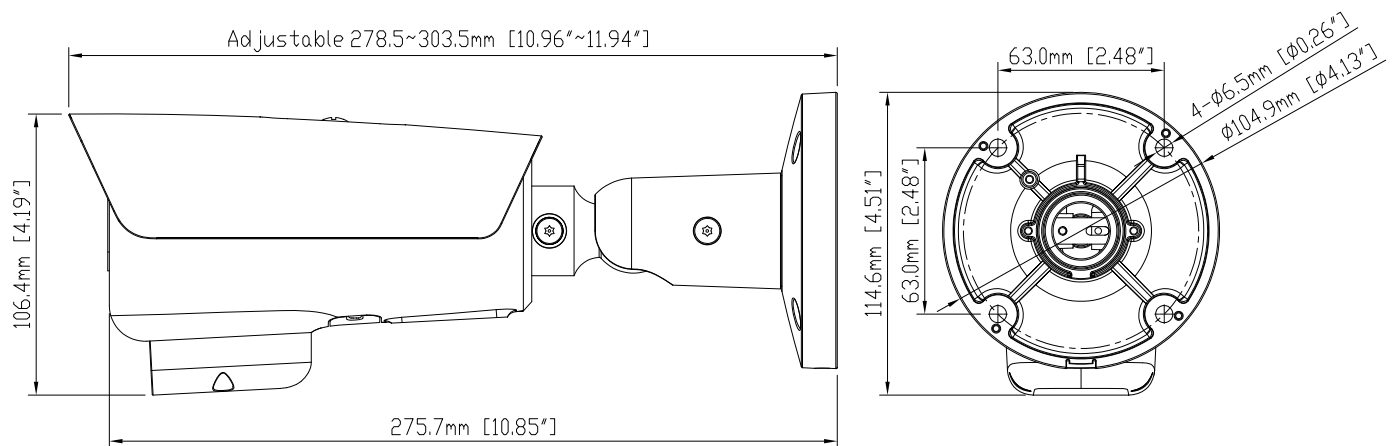
Honeywell

25 SERIES 4 MP - ANPR BULLET CAMERA

| EVENTS/ANALYTICS | |
|-------------------------|---|
| Video Analytics | Motion detection, Scene change |
| LPR | Only for stop and gate Country/Region Supported: Europe, United States, Thailand, Taiwan, Vietnam, Philippines, Israel, China, Brazil, Malaysia, Saudi Arabia, Singapore, South Africa, General Mode (Australia, Chile, India, Indonesia, Malaysia, Oman, Saudi Arabia, Singapore, South Africa) White/Black List: Up to 4000 records |
| Event Type | Video analytics alarm, Security alarm, Disk alarm, Recording alarm, Alarm input, Audio Detection, Illegal Access Alarm |
| Event Linkage | SMTP, Alarm record, FTP Uploading, SD card recording, Alarm Output, Audio Output |
| Region of Interest | 8 |
| ELECTRICAL | |
| Power Supply | DC12V 1 A; or POE 44-57V , 350mA |
| Power Consumption (Max) | MAX.9 W |
| MECHANICAL | |
| Dimensions | 114.6mm x 104.9mm x Adjustable 278.5~303.5mm (4.51" x 4.13" x 10.96"~11.94") |
| Product Weight | 1.39 kg (3.06 lb) |
| Package Weight | 1.69 kg (3.73 lb) |
| Body Material | Metal+Plastic |
| Color | Hon dark gray + White |

| ENVIRONMENTAL | |
|-----------------------|---|
| Operating Temperature | -40°C to 60°C (-40°F to 140°F) |
| Relative Humidity | Less than 90 % , non-condensing |
| Ingress Protection | IP66 |
| Impact Resistance | IK10 |
| REGULATORY | |
| Emissions | FCC Part15B, ICES-003, CE EN55032, Complies with UKCA and RCM |
| Immunity | CE(EN 50130-4, EN 55035), Complies with RCM and UKCA |
| Safety | CE(EN 62368-1), Complies with UKCA and RCM |
| RoHS | CE(EN 63000), UAE(Cabinet Decree No.10 of 2017) |
| Country of Origin | Vietnam |
| Warranty | 3 year |

DIMENSIONS



25 SERIES 4 MP – ANPR BULLET CAMERA

SYSTEM COMPATIBILITY & RECOMMENDED ACCESSORIES

| SYSTEM COMPATIBILITY | |
|----------------------|--|
| MAXPRO NVR HE | Up to 256 IP channels RAID5/6 enterprise NVR |
| MAXPRO NVR PE | Up to 192 IP channels RAID5/6 enterprise NVR |
| MAXPRO NVR SE | Up to 96 IP channels system NVR |
| MAXPRO NVR XE | Up to 24 IP channels system NVR |
| MAXPRO NVR Software | Up to 256 IP channels recording software |
| Milestone | Honeywell – Milestone Plug in |
| 25 Series NVR | 4/8/16-channel 25 series NVRs |
| 35 Series NVR | 4/8/16/32/64-channel 35 series NVRs |

| OPTIONAL MOUNTS AND ACCESSORIES* | |
|----------------------------------|--|
| HA35PCM04B | 35S cap for pendent mount, 1.5NPT male |
| HA35CLM01 | 35S ceiling mount base with adapter |
| HA35CLM02 | 35S ceiling mount pendent extension, 252mm |
| HA60BB1 | 60S outdoor bullet junction box |
| HA35PLM01 | 35S pole mount bracket |
| HA35CNM01 | 35S corner mount bracket |

* Mounting accessories, unless otherwise noted, are not included with camera and must be ordered separately. Please refer to the cross reference matrix or accessories datasheet for detailed information.

ORDERING

| ORDERING | |
|----------------|--|
| HC25WB4R4LPR-V | 25S 4MP ANPR Bullet Network Camera, POE, COO Vietnam |

For More Information

hwl.co/securityUK

Building Automation

Commercial Security
Building 5 Carlton Park
King Edward Avenue
Narborough, Leicester
LE19 0LF

Tel: +44 (0)1163 500714

www.honeywell.com



HEVC Advance™

ONVIF and the ONVIF logo are trademarks of ONVIF Inc.
HEVC Advance logo is a trademark of HEVC Advance.
Honeywell reserves the right, without notification, to make changes in product design or specifications.

HBA-SEC-25S-HC25WB4R4LPR-V-DS-UK-EN-02-2026-V01-Y
© 2026 Honeywell International Inc.

Honeywell